

USER'S MANUAL
CLUB CAR URBAN N1, L7e AND XR



URBAN ^{N1}

URBAN ^{L7e}

URBAN ^{XR}



WARNING

Operating, servicing and maintaining a passenger vehicle or off-road vehicle can expose you to chemicals including engine exhaust, carbon monoxide, phthalates, and lead, which are known to the State of California to cause cancer and birth defects or other reproductive harm. To minimize exposure, avoid breathing exhaust, do not idle the engine except as necessary, service your vehicle in a well-ventilated area and wear gloves or wash your hands frequently when servicing your vehicle.

For more information go to:

www.P65Warnings.ca.gov/passenger-vehicle..

Introduction

Congratulations on your new Club Car Urban.

Club Car is dedicated to creating the best Utility vehicles in the world. We have been uncompromising in our vision and build a Utility vehicle that meets your needs and expectations with direct focus on functionality and driver safety.

This Club Car Urban user's manual contains important information that you will need for the proper operation and handling of your Club Car Urban.

This User's manual covers the Urban short wheel base and Urban long wheel base Utility vehicle as well as the 3 different homologation classes:

- N1 - Street legal in EU as N1 truck
- L7e - Street legal in EU under quadricycle regulation
- XR - Not street legal

We encourage you to read this manual thoroughly before operating your Club Car. Some elements sections will not apply to all 3 models or depend on the chosen accessories. For a full list of option possibilities, please consult your nearest Club Car dealer.

If you have additional questions regarding operation or maintenance of your Club Car Urban, please contact your local Authorized Club Car Service Dealer for immediate support.

Thank you for choosing Club Car.

Club Car Urban user's manual.

© 2023 by Club Car

1st Edition

All rights reserved. Any reprinting or unauthorized use without the written permission of Club Car Inc. is expressly prohibited.

Copyrighted material.

This manual may not be reproduced in whole or in part without the express permission of Club Car Inc.

This manual is the original instructions provided by the manufacturer if in English. This manual is a translation of the original instructions if in any language other than English.

U21 982 023 00 Club Car Urban user's manual

TABLE OF CONTENTS

Introduction.....	3
Contact	8
Reporting safety defects (U.S. model only - not applicable in EU).....	9
Important manual information	10
01 Main components.....	14
Main components	14
Interior components.....	15
Dashboard.....	16
Switch panel.....	16
Ignition switch.....	17
Gear selector	17
Main power switch.....	18
Parking brake.....	19
02 LABELS	20
Important labels.....	20
03 SAFETY	26
Safety.....	26
AVAS (N1 model only).....	26
Club Car Urban model	26
Automatic door lock (N1 only).....	26
Check-ups before use.....	26
Emergency opening of doors (N1 only).....	27
Tyre conditions.....	28
Checking tyre pressure	28
Checking tyre wear	28
Body and chassis.....	29
Pedal operation	29
Brake pedal	29
Accelerator pedal	29
Steering.....	30
Driving safety	31
Driving in terrain or on roads	32
Mirrors.....	33
Seatbelts	34
Driver qualifications.....	35
Safety precautions when maintaining the vehicle.....	35
Maintenance to ensure safety.....	36

04 BATTERY	38
Battery	38
Battery safety.....	38
Charging the battery.....	38
Lead-acid battery safety.....	39
4.1 Lead-acid batteries - general information.....	40
4.2 Watering lead-acid batteries.....	41
4.2.1 Lead-acid batteries: Using the water filler system.....	42
4.2.2 Using the flow-rite hand pump	42
4.3 Lead-acid batteries preventive maintenance.....	44
4.3.2 Cleaning batteries.....	44
4.3.3 Removing corrosion from battery poles	45
4.4 Storage of batteries.....	45
4.4.1 Storage in hot environments (higher than 90°F (32°C)).....	45
4.4.2 Storage in cold environments (less than 32°F (0°C))	45
4.4.3 Water supplies.....	45
4.4.4 Watering system.....	46
4.5 General information about Trojan® batteries.....	46
4.6 Lithium Batteries - Relion Insight (blue batteries).....	46
4.7 Lithium Batteries - Relion Black Box (standard on N1).....	48
Regular use of car	48
Storage of car (no usage in 14 days or more).....	48
Turning the battery off and on.....	48
Accessing the battery	49
Charger socket.....	50
Charging time.....	51
Charger LED.....	51
Battery maintenance and care.....	52
Preventive maintenance.....	52
Equipment for handling the battery.....	52
Towing.....	53
05 INSTRUMENT CLUSTER	54
Instrument cluster.....	54
Navigation buttons.....	55
User functions	55
Time and date.....	56
Backlight.....	56
Reset odometers.....	56

06 OPERATION	58
Driving.....	58
Accelerating	58
Braking.....	58
Rough terrain driving.....	59
Hill hold and roll back	59
Emergency braking (N1 only)	59
Regenerative braking.....	60
Braking with parking brake.....	60
Speed switch	60
07 VEHICLE EQUIPMENT	62
Lights and indicators.....	62
Turn signal arm	62
Light switch.....	62
High beam	62
Horn	62
Door and side window.....	63
Opening and closing the door.....	63
Door retainer catch.....	64
Side windows	65
Seat adjustment	65
Cabin heater/fan.....	66
Bonnet compartment	67
Adjusting rearview mirror	69
Sun visor.....	69
Refrigerator / Storage box	70
Energy saving tips.....	70
Defrosting the refrigerator	70
Windscreen wiper / washer	71
Wind screen wiper	71
Wind screen washer.....	71
Heated windscreen	71
Interior light.....	72
Audio system	72
Output plug 12Volt.....	72
Load bed tilt (optional).....	73
08 MAINTENANCE	74
Maintenance	74
Replacing front light bulbs.....	74
Replacing rear light bulbs and indicators	74

Jacking up the vehicle	75
Jack points	75
Wheel change	76
Brake fluid.....	77
Cleaning the vehicle	78
Exterior.....	78
Wheels.....	78
Rubber flooring.....	78
Interior	79
Seats	79
Battery maintenance and care.....	79
Towing without battery power	80
Towing hook.....	81
Hauling.....	81
Fuse box location.....	82
Fuse box layout.....	83
09 SERVICE	86
Service.....	86
Service symbol in instrument cluster	86
Service Actions.....	87
User Self-Service	88
10 TROUBLESHOOTING	90
Troubleshooting.....	90
The car will not drive.....	90
The vehicle will only drive at a very slow speed.....	90
The vehicle has a lower range than usual	90
The Charger will not charge the battery.....	90
What to do with a completely flat battery.....	90
The lights do not work	91
The refrigerator does not work	91
The refrigerator stops cooling when parked (less than 2 hours)	91
The brake pedal is soft, or goes down without resistance.....	91
The vehicle vibrates in the steering wheel.....	91
11 VEHICLE TECHNICAL SPECIFICATIONS.....	92
Utility Vehicle Dimensions	92
Specifications	94
Warranty	94
System information	94

Contact

Club Car EMEA Limited
Office 123, Balheary Demesne
Swords, Dublin K67E5A0
Ireland

Find your local contact at:
www.clubcarurban.com

Club Car reserves the right to make design changes without obligation to make these changes on units previously sold.

The information contained in this manual is subject to change without notice.

Club Car is not liable for errors in this manual or for incidental or consequential damages that result from the use of the material in this manual.

Reporting safety defects (U.S. model only – not applicable in EU)

The below only applies to LSV models sold in the U.S.

If you believe that your vehicle has a defect which could cause a crash or could cause injury or death, you should immediately inform the National Highway Traffic Safety Administration (NHTSA) in addition to notifying Club Car.

If NHTSA receives similar complaints, it may open an investigation, and if it finds that a safety defect exists in a group of vehicles, it may order a recall and remedy campaign. However, NHTSA cannot become involved in individual problems between you, your dealer, or Club Car.

To contact NHTSA, you may call the Vehicle Safety Hotline toll-free at: 1-888-327-4236 (TTY: 1-800-424-9153);

Motor vehicle safety and additional information can be found at:
<http://www.safercar.gov>

To contact NHTSA via mail, write to:
Administrator
NHTSA
400 Seventh Street, SW
Washington, DC 20590

To contact Club Car:
Phone: +1 800 258 2227
www.clubcar.com

Important manual information

Particularly important information is emphasized in this manual by the following notations:

The Safety Alert Symbol means ATTENTION! BE ALERT! YOUR SAFETY IS INVOLVED!

DANGER

Failure to follow DANGER instructions could result in severe injury or death to the vehicle occupants, a bystander, or a person inspecting or repairing the vehicle.

WARNING

Failure to follow WARNING instructions could result in severe injury to the vehicle occupants, a bystander, or a person inspecting or repairing the vehicle.

CAUTION

Failure to follow CAUTION instructions could result in damage to the vehicle, or the surroundings.

NOTICE

This message provides additional important information.

WARNING

It can be dangerous if you do not know your vehicle and all its functions, or do not know how to use them. You or others may be at risk of injury if you use the vehicle incorrectly. Therefore, read and understand the manual before using the vehicle.

NOTICE

Club Car is continually making enhancements or improvements in design or quality which are applied to its products. This manual contains all available information on the current product at the time of printing, however, there can be minor differences between your Club Car vehicle and this manual. If you have any questions concerning this manual or your Club Car product, please consult your Club Car dealer.

This manual is to be considered a permanent part of the Club Car vehicle. Hence, it should always follow the vehicle, including when it is resold.

WARNING

Be aware, when operating on public roads, that this vehicle offers significantly less crash protection compared to normal cars, vans, trucks or other motorized vehicles. This will result in a higher risk of injuries or death in collisions, at any speed. Especially in areas with heavy traffic or traffic with higher speeds.

To reduce the risk of injuries or accidents, follow the guidelines below:

All passengers must always wear seatbelts at all times.

Always reduce speed when driving on hills or when cornering, to reduce the risk of vehicle tipping over.

Avoid operating at night as far as possible. The vehicle can be hard for others to see, or it can be hard for others to recognize the limited crash protection.

NEVER operate while under the influence of alcohol and/or drugs.

ALWAYS OPERATE THIS CLUB CAR VEHICLE IN COMPLIANCE WITH YOUR COUNTRY AND LOCAL VEHICLE REGULATIONS INCLUDING REGISTRATION, TITLING, INSURANCE, SEAT BELT USAGE, AND OPERATOR'S LICENSING.

Turn ignition switch to "OFF" position and remove key before leaving the vehicle.

ALWAYS FASTEN YOUR SEAT BELTS!

NOTICE

To extend the life of your battery:

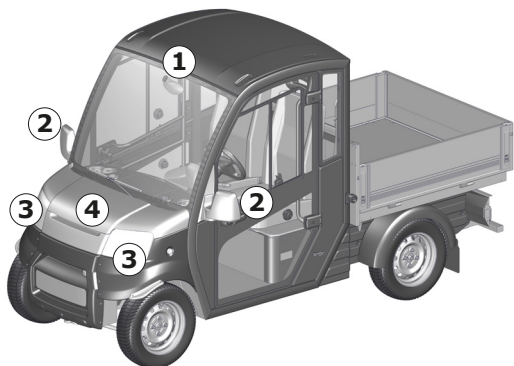
Keep the vehicle plugged into the charger even during long absences. The charger recognizes the charging needs, and will keep the battery in peak condition without causing any damage. Keep batteries fully charged at all possible times.

Avoid deep discharging of the batteries.

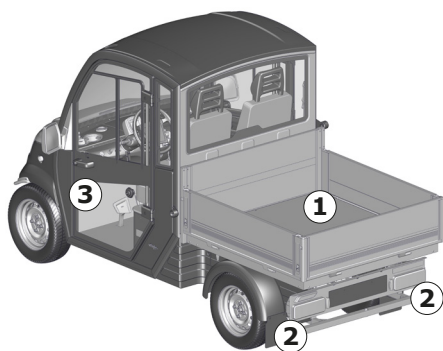
This page is intentionally left blank

01 MAIN COMPONENTS

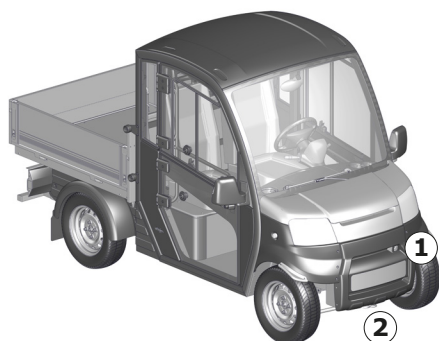
Main components



- ① Rear view mirror
- ② Side view mirror
- ③ Head light
- ④ Front bonnet



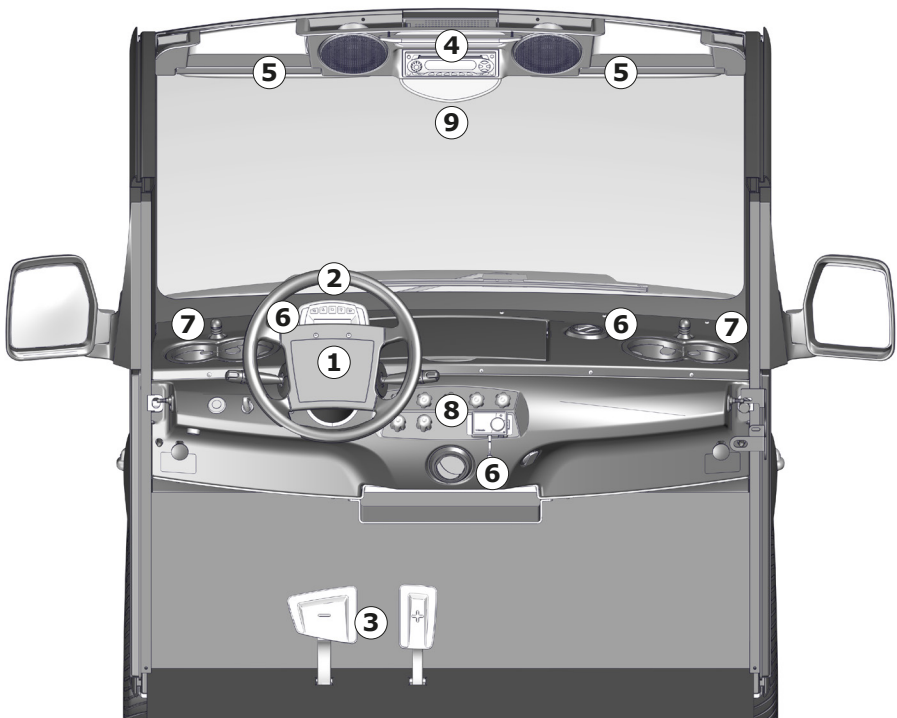
- ① Load bed
- ② Rear lights
- ③ Door lock and handle



- ① Charging socket
- ② Tow bar

The vehicle is shown with all available accessories.

Interior components



- | | |
|----------------------|--------------------|
| ① Steering wheel | ⑥ Air vents |
| ② Instrument cluster | ⑦ Cup holders |
| ③ Pedals | ⑧ Dashboard |
| ④ Stereo | ⑨ Rear view mirror |
| ⑤ Sun visors | |

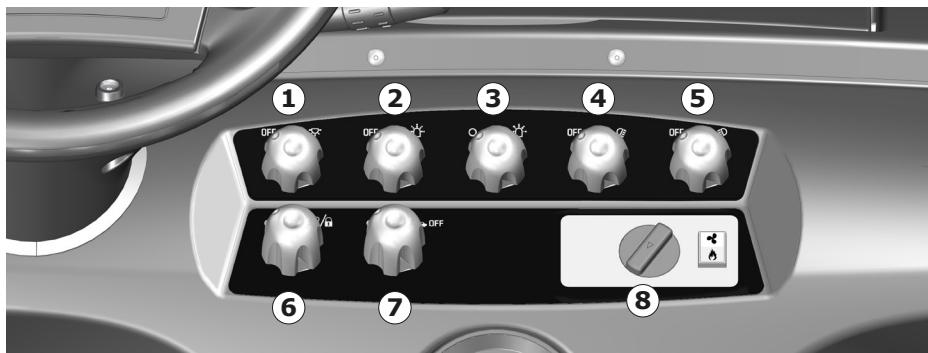
The vehicle is shown with all available accessories.

Dashboard



- ① Turn signal stalk
- ② Gear selector stalk / Windscreen wiper / washer stalk
- ③ Emergency door opener
- ④ Bonnet lock
- ⑤ Hazard light switch
- ⑥ Ignition key
- ⑦ Dynamic emergency brake
- ⑧ Immobilizer LED
- ⑨ Switch panel
- ⑩ 12V outlet

Switch panel



- ① Interior light
- ② Strobe light
- ③ Strobe light pattern
- ④ Rear working light
- ⑤ Front working light
- ⑥ Door lock
- ⑦ AVAS (Acoustic Vehicle Alerting System)
- ⑧ Cabin heating system

The vehicle is shown with all available accessories.

Ignition switch



OFF: Most electrical applications are disabled. The interior light and the 12V power socket will still be functioning. The key can be removed in this position.

If the Utility vehicle is equipped with a cabin heater, then when the key is in the OFF position the fan will still be able to rotate.

NOTICE

Extensive use of the 12 Volt socket for, for example, charging mobile devices, or leaving the interior light on may drain the battery.

Gear selector

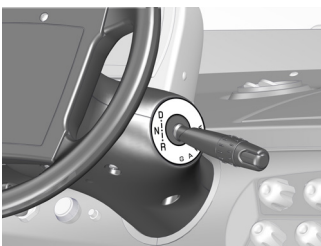
Hold down the brake pedal to use the gear selector.



N: Neutral. The parking brake is engaged when the vehicle comes to a full stop. The vehicle can be temporarily parked, all electrical applications are in function.

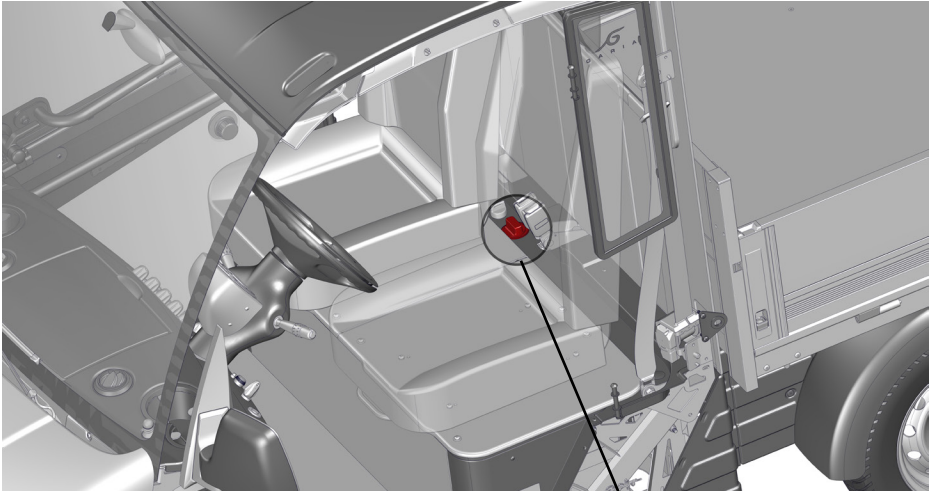


D: Drive. Hold down the brake pedal and push the gear selector arm upwards. The selector arm returns to center position, and the car is in drive mode. When the accelerator pedal is engaged, the parking brake releases automatically, and the vehicle drives forward. All electrical functions are in function. The automatic parking brake applies itself when the car stops again.



R: Reverse. Hold down the brake pedal and push the gear selector arm downwards twice. First to neutral and then to reverse. The selector arm returns to center position, and the car is in reverse mode. When the accelerator pedal is engaged, the parking brake releases automatically. The vehicle reverses. All electrical functions are in function.

Main power switch

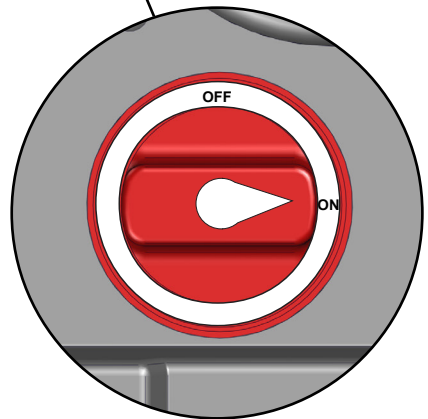


The main power switch is located behind the seats. Move right hand seat to its foremost position to ease access to the switch.

The switch disables all electrical functions except the automatic parking brake and the back-up power for the instrument cluster unit.

When storing the vehicle for longer periods of time, it is recommended that the main power is switched off, in order to experience as little discharging as possible.

When servicing or repairing the vehicle (especially the electrical system) always turn main power switch to "OFF".



⚠ WARNING

Serious injuries can occur when working on the electrical system, if the main power switch is turned to "ON". Always turn main power switch to "OFF" before working on the electrical system of the vehicle. The electrical system should only be handled by experienced and trained mechanics with education in handling low-voltage components. Please consult your nearest Club Car dealership before working on the electrical system.

Parking brake



This vehicle is equipped with an automatic parking brake system.

When the vehicle comes to a halt, the automatic parking brake will engage automatically after a short delay (2-3 seconds). Until the parking brake is activated, the motor brake will prevent vehicle movement.

When the car starts moving in response to the accelerator pedal, the parking brake will release automatically.

The automatic parking brake can be switched off for towing or repairing needs, however, note that this also disables most electrical functions on the vehicle. See the "Towing" chapter.

When the vehicle is not driving, the parking brake symbol appears in the instrument cluster, unless if the vehicle power has been turned off by either the ignition or main power switch. The parking brake will still be activated when vehicle power is turned off, although this does not appear in the instrument cluster.

DANGER

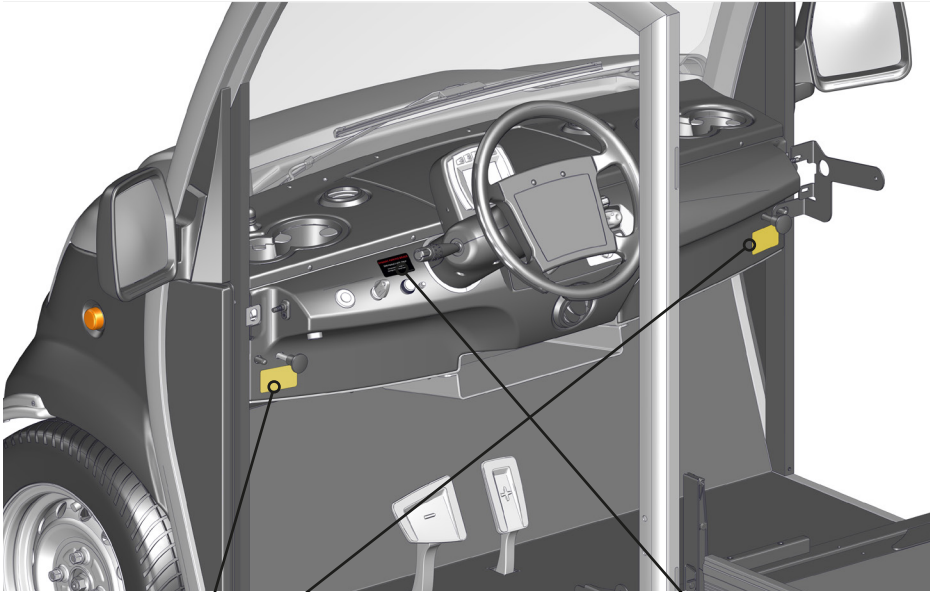
If the parking brake is disabled the vehicle may roll.

NOTICE

If the parking brake is not functioning as described above, ensure that a qualified repair shop performs a parking brake check. Club Car recommends that service is provided by an Authorized Club Car Service Dealer.

Important labels

Please note: The Club Car Urban N1 model differs technically from the L7e and XR models. Some labels and functions are therefore only present on the N1 version of the Club Car Urban. Other labels are depending on the options selected.



▲ PUSH HARD

Door lock **emergency**
release **only**

Emergency opening of doors label
Read before operating vehicle.

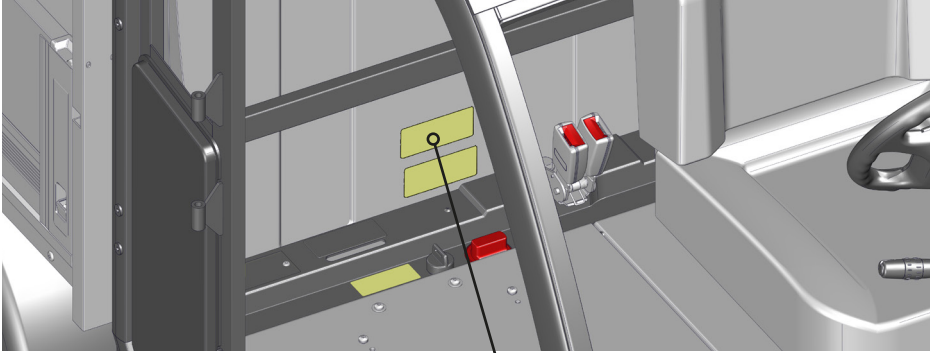
DYNAMIC PARKING BRAKE

EMERGENCY USE ONLY

Unnecessary usage will
damage the transmission

U21 755 608 00

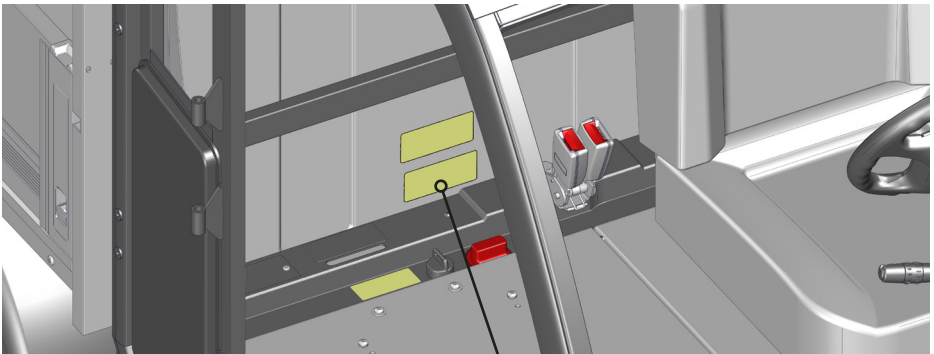
Dynamic parking brake label
Read before operating vehicle.



⚠ WARNING

- Always turn Main Power switch to "OFF" before removing or reconnecting batteries battery wires or any other electrical components. Failure to do so may result in electrical arc or battery explosion.
- Modifying or tampering with this vehicle could result in **SERIOUS INJURY** or **DEATH**, as well as permanent damage to the vehicle.
- Any unauthorized modification of this vehicle will void all applicable warranties.

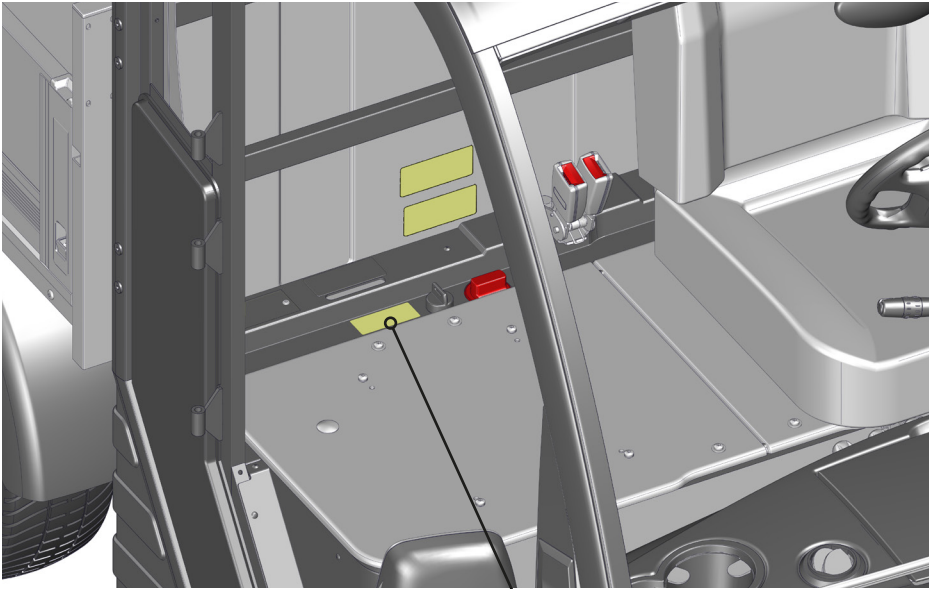
Maintenance Warning Label Read before maintaining vehicle.



⚠ WARNING

- Always take the best safety precautions when releasing parking brake.
- Vehicle can roll unexpectedly at all times when parking brake is released, even on level grounds. This can cause **SERIOUS INJURY** or **DEATH**.
- To release parking brake without battery power, deactivate the parking brake on the motor. See User's Manual for instructions.
- To release the parking brake with electricity, set the ignition key to "OFF", turn the Main Power switch "ON" and turn the key in the towing switch to "TOW".
- Always select "TOW" on towing switch before towing.

Towing Warning Label Read before towing vehicle.

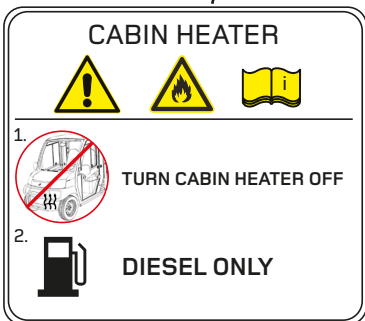
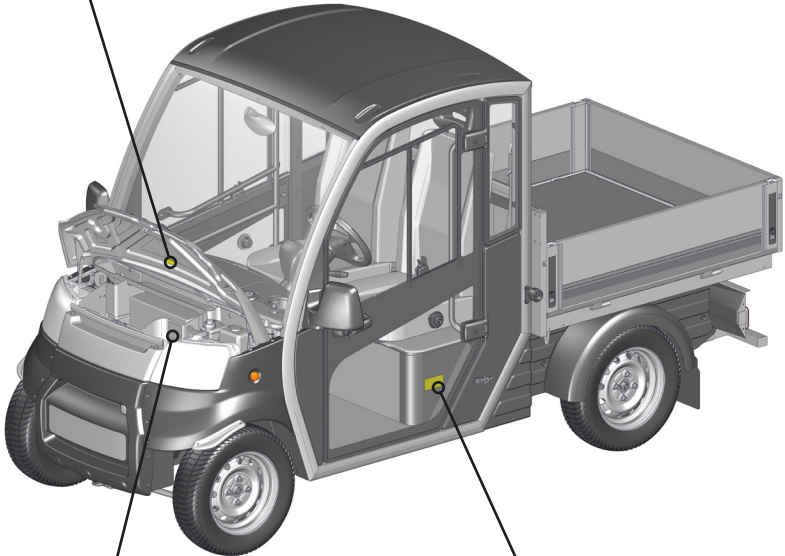


⚠ DANGER	⚠ WARNING	⚠ CAUTION
<p>Defective batteries, cables, or plugs should be replaced immediately by qualified personnel only.</p> <p>Touching battery cables or uninsulated battery terminals may result in electric shock causing SERIOUS INJURY or DEATH.</p> <p>NEVER connect the positive and negative terminals of a battery.</p> <p>Such conduct may result in an electrical shortage, which may cause burns or other SERIOUS INJURIES or DEATH.</p>	<p>Surfaces may be hot. To avoid risk of burns or other serious injury, DO NOT TOUCH.</p>	<p>DO NOT REMOVE COVER.</p> <p>Service should be performed by qualified personnel only.</p> <p>Always turn the Main Power switch to "OFF" before removing or reconnecting batteries, battery wires, or any other electrical components. Failure to do so may result in electrical arc or battery explosion.</p>

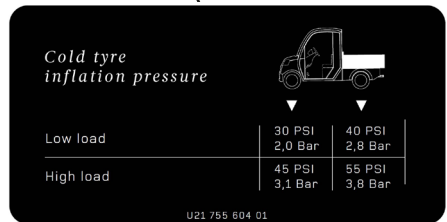
Battery Warning Label Read before handling batteries.



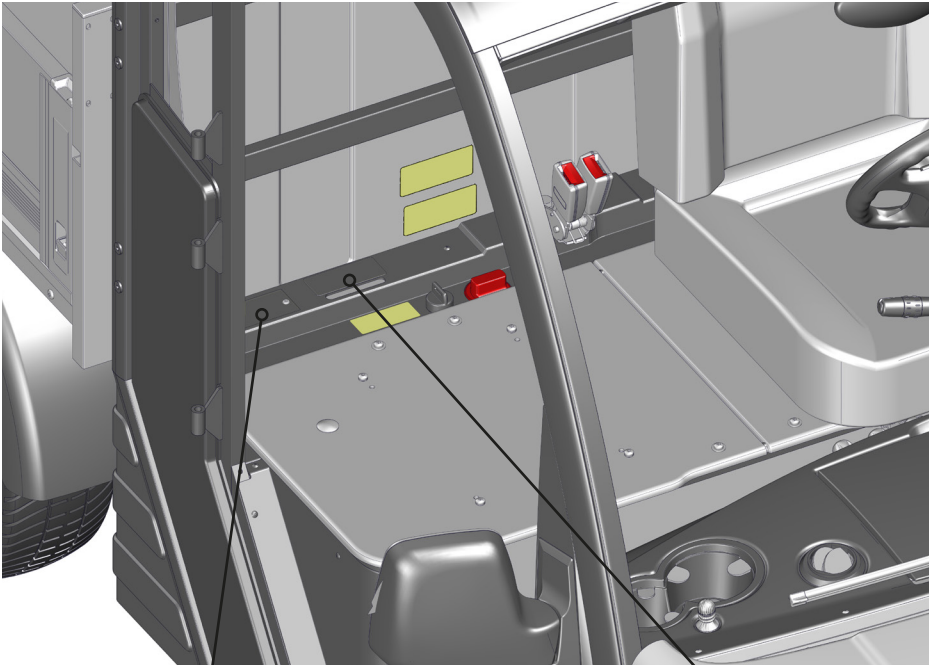
Headlamp adjustment label
Read before operating vehicle.



Cabin heater label
Read before operating vehicle.

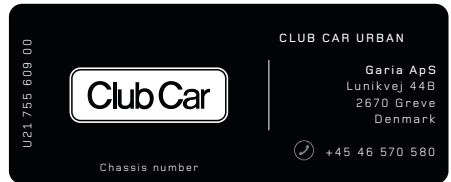


Tyre pressure label
Read before operating vehicle. For right hand drive vehicles, this label is placed at the vehicle's right side.



Statutory plate

Vehicle identification number and loads.



Club Car info label

Manufacturer's contact information.

NOTICE

Additional labels can be present on specific vehicles, depending on local jurisdiction.

This page is intentionally left blank

Safety

It is important to read and understand this Club Car Urban manual and along with all safety and instruction labels, before the vehicle is first used.

AVAS (N1 model only)

As the vehicle's noise level is quite low, pedestrians etc. may have difficulty hearing when the vehicle is approaching. Therefore, the N1 vehicle is equipped with an AVAS system (Acoustic Vehicle Alerting System). The system will automatically be on when the car is turned on. We recommend that the AVAS system is not switched off, but remains active at all times.

Club Car Urban model

- Read "Check-ups before use"
- The Urban versions are constructed to operate at 55 km/h (34 mph) (N1 only)
- This vehicle is only to be driven by people with a valid drivers license.
- Always drive the vehicle from the driver's side only and only in areas intended for the usage of this type of vehicle.
- Always keep seat belts fastened whenever seated and the vehicle is in motion.
- Never allow more than one passenger in each seat. This vehicle is restricted to two (2) occupants including the driver.
- Do not operate while under the influence of alcohol and/or drugs.
- Do not make any modifications or additions to the vehicle which influences its loading capacity or safe use. Do not make any changes to the vehicle that are not in accordance with the user's manual.
- Be aware, when operating on public roads (N1, L7e only), that this vehicle offers significantly less crash protection compared to normal cars, vans, trucks or other motorized vehicles. This will result in a higher risk of injuries or death in collisions, at any speed. Especially in areas with heavy traffic or traffic with higher speeds.

Automatic door lock (N1 only)

The doors automatically lock at speeds above 4 km/h (2.5 mph) and automatically unlock again at speeds below 3 km/h (1.8 mph).

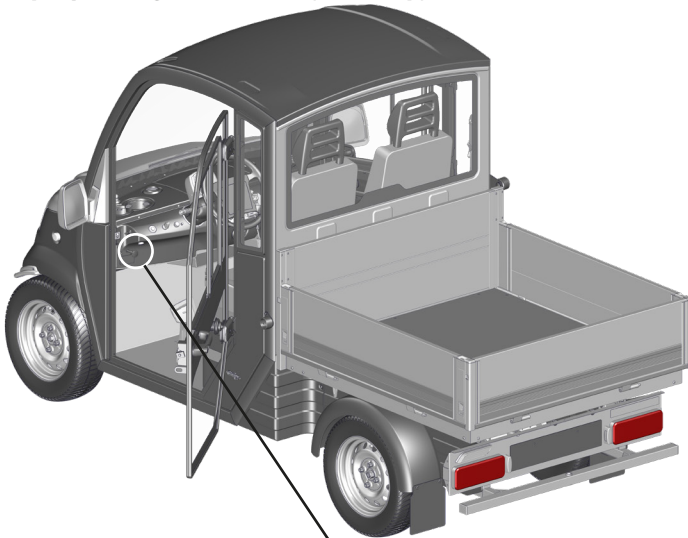
Check-ups before use

Before the vehicle is put into service, the following points of this section should always be followed to ensure the optimal, safe and correct operation of the vehicle. It is a good idea to make it a habit to follow these checkpoints every time the vehicle is used.

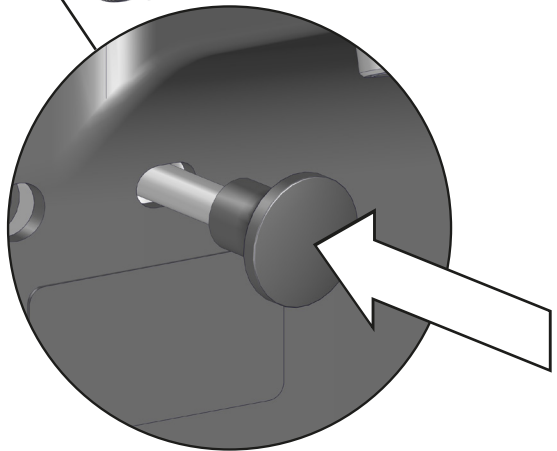
Before using the vehicle, please check the following

- Tyre conditions
- Body and chassis
- Brakes
- Steering
- Pedal operation

Emergency opening of doors (N1 only)



The doors are equipped with an emergency unlocking knob, so that the doors can be opened in case of power failure or other malfunctions. Push hard on the knob to unlock the door.



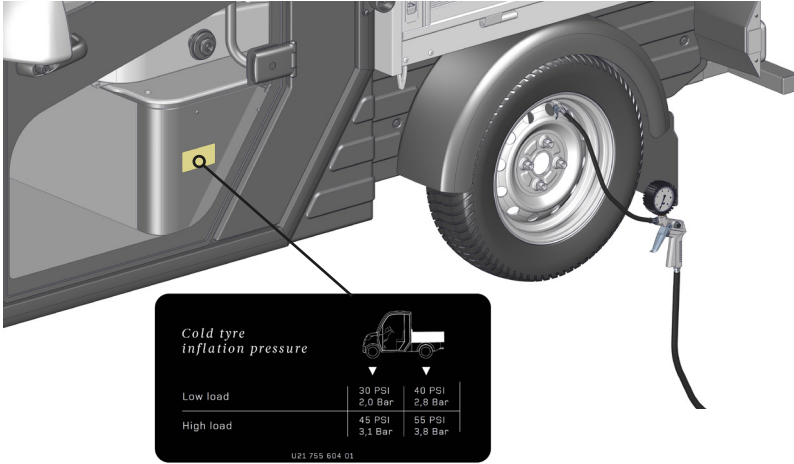
WARNING

Never use the emergency opening button to unlock the doors unless there is an emergency. Use the standard door opener handle instead, as excessive use of emergency opening button may damage the mechanics leading to a failure in a later emergency situation. After using the emergency opening button always have the mechanics checked by your local Club Car dealer to ensure optimum functionality.

Tyre conditions

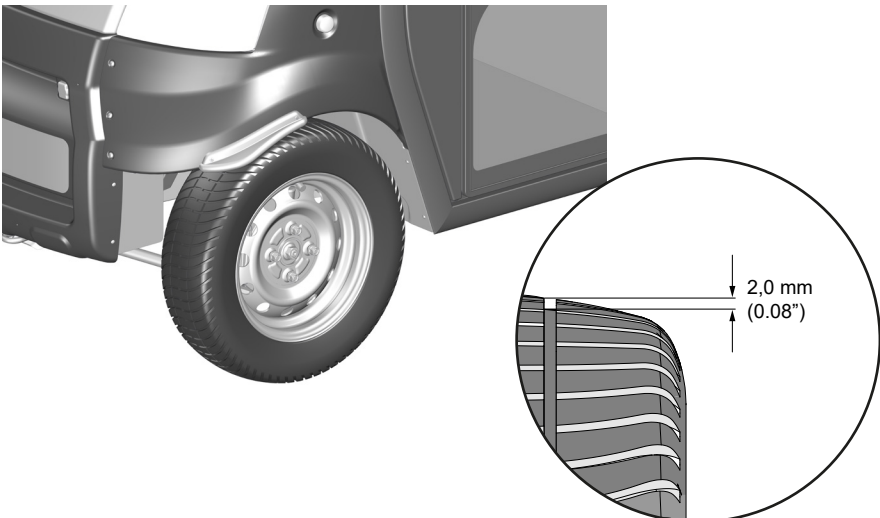
Checking tyre pressure

It is of great importance that the tyre pressure is checked and adjusted regularly before using the vehicle. Refer to the tyre pressure label.



Checking tyre wear

Check tyre surface for damages, cracks and foreign objects. When tyre thread wears down to 2,0 mm (0.08 in.), it is recommended that the tyre is replaced. Please check local legislation for minimum requirements of tyre threads.



Body and chassis

Always visually inspect the chassis and body to make sure that all chassis and body parts are present, correctly mounted and undamaged before using.

Check that all electrical functions are working correctly. This includes:

- Headlamps, both high and low beam
- Position lights
- Turn signal indicators
- Horn
- Hazard lights
- Windshield wiper/washer (standard on N1, L7e)

Pedal operation

Perform the following check on the pedal operation to ensure that pedals are working correctly as specified below.

Brake pedal

Always make sure that brakes are functioning correctly. Do not drive, if brakes are not functioning correctly.

When engaging the brake pedal, the pedal should show resistance after being depressed approximately 1/3 of its way. If it is possible to push the brake to the floor without any resistance, it is an indication of a malfunction in the braking system.

Please consult a qualified repair shop immediately. It is recommended that repairs are provided by an Authorized Club Car Service Dealer. The pedal should feel firm at all times and always return to its original position when released.

Accelerator pedal

Before checking, ensure that (with the ignition key turned to "OFF"). Make sure that the accelerator pedal is working correctly and moving freely, and the pedal returns to its original position when released.

WARNING

Always ensure that the ignition switch is turned "OFF" before the pedal operation is tested. Vehicle can accelerate abruptly if vehicle is set to the "D" or "R" position and potentially cause severe injury to persons or damage to property.

Steering



Make sure there is connection between steering wheel and wheels by turning steering wheel slightly to the left and to the right.

If wheels do not follow steering wheel, or any unusual sounds appear from any of the components, consult a qualified repair shop. Club Car recommends that maintenance is provided by an Authorized Club Car Service Dealer.

Driving safety

Each driver must carry a valid driver's license.

- Keep entire body inside vehicle at all times. Remain fully seated and hold on to the steering wheel or other handles while driving.
- The vehicle is equipped with seat belts. Always keep seat belts fastened whenever seated.
- Follow all traffic regulations and obey all rules and regulations.
- Do not start vehicle until all passengers are fully seated and fastened.
- Do not carry children on laps or in children's seats, the vehicle is not constructed for transporting children requiring a child safety seat.
- Do not allow anyone to hang onto the vehicle at any time.
- The driver must keep both hands on the steering wheel and the eyes focused in the direction in which the vehicle is driving.
- Show extra caution in populated areas or when reversing. Always reverse slowly and pay attention to the road and surroundings.
- The vehicle might not be as visible in the night time. Always make sure to turn on the headlamps and tail lights whenever operating from dusk to dawn.
- Avoid accelerating or decelerating in an abrupt manner.
- Always adjust the speed to the terrain where the vehicle is currently used.
- Drive slowly when making turns and when going up or down slopes. Never turn steering wheel sharply at higher speeds to reduce the risk of the vehicle tipping over or to prevent possible injury to an unsuspecting passenger.
- Never drive up or down slopes at an angle, use brakes to reduce speed when driving downhill.

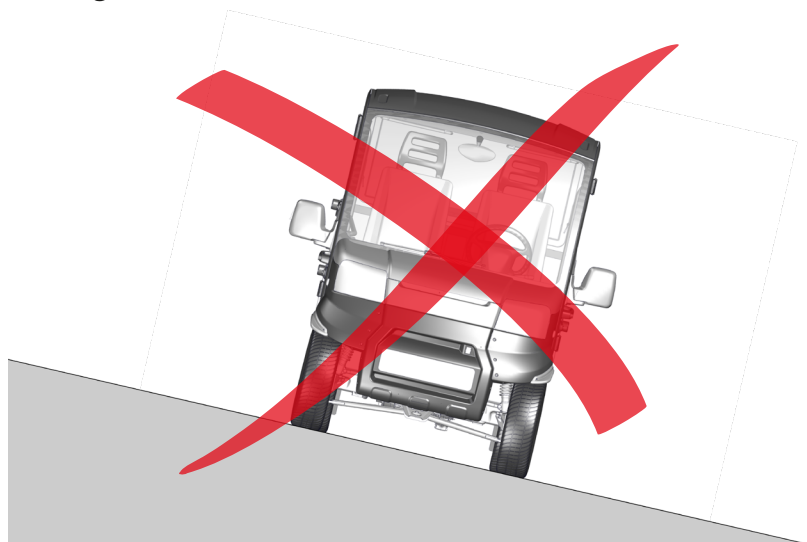
The Club Car Urban can cause serious injury or damage if used improperly or not maintained according to the vehicle's maintenance program. Before the vehicle is used, all necessary safety precautions must be taken and all the additional instructions of the area, where the vehicle is used, must be observed.

The Club Car Urban should be safe to use as long as the safety precautions explained in the user's manuals and on the vehicle are upheld. Make sure that you always drive according to the current conditions and adjust the speed and driving pattern according to the terrain in which the vehicle is moving.

NOTICE

It is expected that many vehicles will be used for a variety of tasks beyond the original intended use. As a consequence of this, it is impossible to anticipate and warn against every possible combination of circumstances that may occur. No warnings can take the place of good common sense and prudent driving practices.

Driving in terrain or on roads



Driving up and down steep hills and slopes should be avoided or at a minimum driven with the highest level of caution. If driving down hills or slopes is a necessity, do this as slowly as possible while braking with the brake pedal. Furthermore, driving must not be at an angle that makes the vehicle tilt sideways.

DANGER

Risk of falling out! Risk of vehicle tipping over!

Avoid parking the vehicle on hills or tilted at an angle. Always make sure to park the vehicle on as level grounds as possible.

Sharp or blind bends: Use great caution around sharp or blind bends, adjust the speed, so the turn can be made in a safe manner. Be prepared to stop the vehicle or avoid possible obstacles if dangerous situations occur.

Wet areas: Driving on wet grass or similar areas reduces the contact between the vehicle and the surface and can cause instability and increased braking distance. Hence, always drive slowly and with caution, so you are always driving in a safe manner.

WARNING

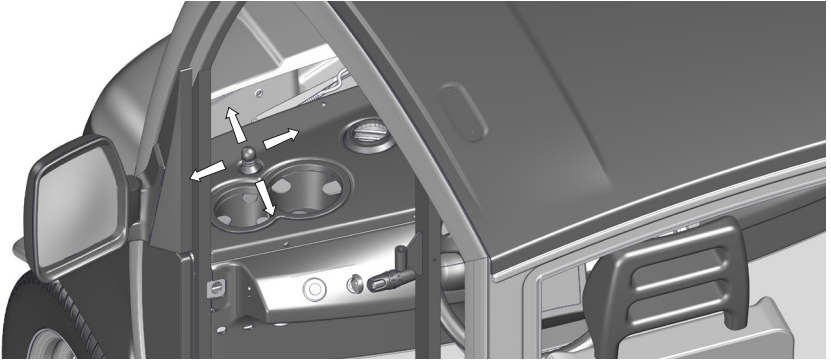
Always ensure to drive carefully at all times. Driving fast, irresponsibly or in any way not according to referred to in this user's manual can cause severe injuries or death to persons and property damage.

Mirrors

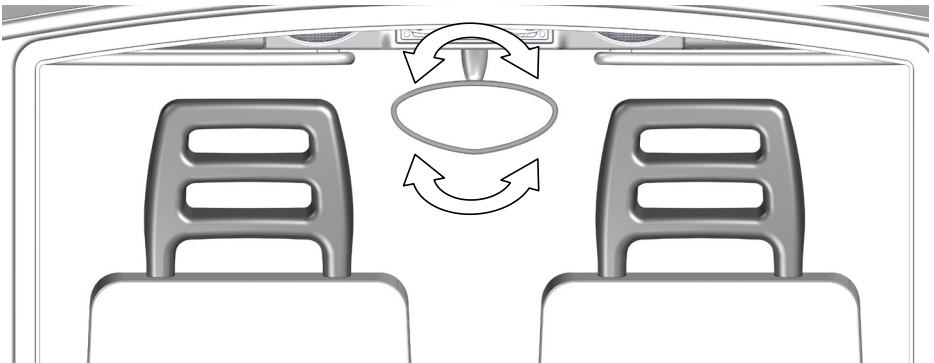
The Club Car Urban N1, L7e comes with factory fitted mirrors standard and they are adjustable for the optimal viewing conditions and enhancing safety while driving.

Adjust the side and rearview mirrors before driving.

Do not adjust mirrors while driving. This takes focus off the driving and can create dangerous situations.



To adjust the side mirrors, move adjustment levers inside the vehicle



To adjust the rear view mirror, move it by hand.

⚠ CAUTION

Make sure not to bend the mirror excessively in any direction as this can cause permanent damage to the mirror.

Seatbelts

This Club Car Urban is equipped with three-point seat belts. Ensure that all occupants have their seat belts fastened before putting the vehicle into movement. The seat belt must at all times be worn snugly around the body. The seat belt shall not be tensioned around any other objects, than the person wearing the seat belt. Each seat belt assembly is constructed for one person only. Always make sure to follow these instructions and those located on the vehicle, before operating the vehicle.

⚠ DANGER

ALWAYS wear seatbelts correctly when driving. Failure to do so, can cause serious injuries or death in case of an accident.



Pull the seat belt out in a straight and even movement before placing it around the body. Use left seat belt bucle for the left seat and the right seat belt bucle for the right seat.

Driver qualifications

The driver of the vehicle should as a minimum have read this complete user's manual, have full knowledge and understanding of the use of this vehicle and be in possession of a valid driver's license for motor vehicles.

The driver is required to drive responsibly and safely, in order to avoid damage to property and/or injuries to others or him-/herself.

The driver must know about the rules and regulations for driving Utility vehicles of the area where the vehicle is operated, and must follow these at all times. No persons under the age of 16 shall be allowed to operate the vehicle.

In areas with pedestrians and other traffic, the driver must exercise caution, drive slowly and pay attention to the surroundings.

For the Club Car Urban N1 and L7e, it is a legal requirement that all drivers of this vehicle have a valid driver license. The Club Car Urban is fitted with seat belts and it is required that these are fastened when the vehicle is in motion.

DANGER

NEVER operate a vehicle under the influence of alcohol and/or drugs. Driving under the influence of alcohol or drugs considerably reduces the ability to concentrate, focus, judge speed and distance and can result in severe personal injury, death or excessive material damage.

Club Car strongly discourages the operation of any vehicle while intoxicated by alcohol, drugs or similar.

Safety precautions when maintaining the vehicle

When maintaining the vehicle, make sure to follow all safety precautions located on the vehicle, described in this user's manual, in the Club Car Workshop Repair Manual and especially the following:

- Ensure that the vehicle has been properly secured and cannot move, when vehicle is being maintained.
- Ensure that the vehicle has the correct lifting support before any repair and maintenance is carried out.
- Avoid fire hazards and ensure that there is proper fire extinguishing equipment within reach.
- The electrical system must be disconnected before ANY work is carried out on this vehicle. (See chapter 4 for instructions on disconnecting power)
- Make sure that warning and information labels are in a readable condition. If any label needs replacing to make the vehicle conform to the correct safety standards, please consult a qualified repair shop. It is recommended that maintenance is provided by an Authorized Club Car Service Dealer.

03 SAFETY

- Always use correct insulated tools when working on and around electrical installations, such as batteries, on the vehicle.
- Maintain all components that have an effect on safety and the safe operation of the vehicle. This particularly includes the brakes, steering and warning devices.
- After each repair, service or other maintenance, the vehicle must be test driven by qualified and authorized personnel on a specifically designed area, without pedestrians or other traffic, to ensure that the vehicle is adjusted correctly and functions as specified.
- Ensure that all maintenance service checks are filled out correctly in the applied Warranty and Service book.

Maintenance to ensure safety

To sustain safety it is important that the vehicle is maintained correctly, and the following is recommended to follow to obtain the best possible safety.

- Maintenance is preventative: Always service and maintain the vehicle according to maintenance schemes stated in this user's manual. By doing this, the car will attain the highest level of safety and the warranty will be upheld. (See chapter 8 and 9 of this manual) If the specified service intervals are not adhered to, all applicable warranties will be void.
- Repairs: Allow only qualified, educated and authorized personnel to inspect, service and repair the vehicle. All applicable warranties will be void, if repair procedures are not followed as described in the Club Car Work Shop and Repair Manual.

This page is intentionally left blank

Battery

WARNING

Please read and comply with all of the following safety-related instructions and warnings prior to operating and maintaining the batteries in this vehicle. Failure to comply with these instructions may result in serious personal injury, death and/or property damage.

Battery safety

- Check that all connections and battery cables are securely attached to the terminal and tightened according to specification; too loose or too tight connections can result in post breakages, meltdown or fire.
- Do not place any objects on battery or terminals to avoid short circuits.
- Keep sparks, flames and metal objects away from battery.

The Club Car Urban is equipped with a 48 Volt battery system which provides the power for its operation. To ensure the best operation, always make sure that the vehicle is maintained according to specified maintenance intervals.

Charging the battery

Always follow the safety precautions mentioned below to avoid personal injury or death or property damage when maintaining or storing batteries:

- Always follow procedures that are in accordance with applicable laws and regulations when charging and using charging facilities.
- Periodically inspect the facilities and the procedures used when charging and storing the battery to ensure that the correct safety conditions are in place.
- The vehicle shall only be charged using a vehicle-specific Club Car charging cable. The cable is according to the provisions of UL standards 2202.

DANGER

Connect battery cable to properly rated electrical receptacle with GFCI

CAUTION

Only charge the battery with the integrated on-board charger. This charger has a charging algorithm that allow the most optimal charging session at any state of charge. It is carefully designed for the vehicle's battery. Do not attempt to charge battery in other ways than by using the integrated on-board charger.

The software on the charger is specific to the batteries. Changing batteries to a different type requires new charger software.

Lead-acid battery safety

- The electrolyte is a solution of acid and water, so avoid skin contact.
- If acid comes into contact with your skin or eyes, flush with water immediately and seek medical attention.
- Charge batteries in a well-ventilated area, as batteries produce gas fumes when charging. Lift seat cushion to vertical position when charging.
- Never add acid to the battery.

DANGER

EXPLOSIVE GASES!

- **Batteries generate explosive gases! Do not smoke in the vicinity of any batteries.**
- **Keep sparks and flames away from the batteries, vehicle and service area.**
- **Ventilate the area when charging batteries or operating a vehicle in an enclosed space.**
- **Wear a full face shield and rubber gloves when working on or near batteries.**
- **Keep flames, sparks, cigarettes and fire away from batteries at all times. The gas exhaust from the batteries causes fire and explosions. This will cause SERIOUS INJURY or DEATH.**

RISK OF ELECTRIC SHOCK!

- **The electricity stored in batteries can cause electric shock resulting in serious bodily injury or death, even at low voltages.**
- **Use insulated tools when working near batteries or electrical connections.**
- **Use extreme caution to avoid short circuiting of components or wiring.**
- **Do not wear metal jewelry such as rings, watches, chains, etc., when servicing the vehicle, watering system, battery or battery charger.**

WARNING

Battery electrolyte is poisonous and dangerous, causing severe burns or other damages. It contains sulfuric acid. Avoid contact with skin, eyes or clothing.

Do not transport, store, handle or operate batteries except in an upright position.

Wear a full face shield and rubber gloves when working on or near batteries

Emergency treatment:

EXTERNAL: Flush with water immediately

INTERNAL: Drink large quantities of water or milk.

Keep sparks, flames cigarettes or similar away from the batteries. Seek medical attention.

Always ensure proper ventilation when charging or using in enclosed space. Always shield eyes when working near batteries.

KEEP OUT OF REACH OF CHILDREN.

4.1 Lead-acid batteries – general information

The Club Car Urban may be equipped with eight 6 Volt batteries which provides the power for its operation. To ensure the best operation, always make sure that the vehicle is maintained according to specified maintenance intervals. The batteries used in this vehicle are Trojan® T-145 Wet Lead Acid Cell Batteries. The batteries are made of 65% water and 35% acid with an electrolyte plate inside the battery.

Only charge batteries with the integrated Delta-Q on-board charger. This charger is carefully designed for the vehicle's batteries. Do not attempt to charge batteries in other ways than by using the integrated on-board charger. By using other chargers, the risk of over- and undercharging occurs, which can shorten the capacity of the batteries and potentially destroy them. The integrated on-board charger is programmed to maximize battery performance.

The optimal charging time depends on a range of different factors. It is expected that the battery can charge from a 30% state to a fully charged state in approximately 7 hours. This is, however, dependent on the weather conditions, the state of charge and the general condition of the batteries.

When charging batteries, please be aware of the following:

- Batteries shall be fully charged after each use, if not this will damage the batteries over time.
- Lead-acid batteries do not have a memory effect and therefore do not need to be fully discharged before recharging.
- Charge only in well-ventilated areas
- The batteries will gas (bubble) towards the end of charge to ensure the electrolyte is properly mixed.
- Never charge a frozen battery
- Avoid charging at temperatures above 120°F (49°C)
- Only apply distilled water after charging

Retightening the battery posts are very important to insure that malfunctions are kept at a minimum. Always use a torque wrench to tighten the battery posts, the correct amount of torque is 11-12 Nm or 95-105 in-lbs.

Always turn ignition key to "OFF" when the vehicle is not in use. The battery can be drained in 1 to 2 days if the ignition key is left in "ON". To restart the vehicle, find your nearest dealer at www.clubcarurban.com.

DANGER

Always wear protective clothing, acid-proof gloves and goggles when handling lead acid batteries and remove all jewelry. Batteries are corrosive and failure to follow the above mentioned may result in personal injury or death as lead acid can cause severe burns and destroy clothing. Jewelry is a risk if it comes in contact with the terminals of the battery. Metals in contact with battery poles can cause arcs which can result in severe personal injuries.

Handling of batteries should not occur if the user has no prior experience of handling batteries. Please refer to Trojan® Battery's website for more information regarding battery handling: www.TrojanBattery.com

NOTICE

Maintaining batteries properly includes always charging batteries after use, ensuring the correct level of fluid in the batteries as well as general removal of corrosion, dust, dirt and/or similar, apply anti corrosion liquid if needed..

⚠ CAUTION

Always keep baking soda and great amounts of water nearby. This will help neutralize any possible acid spills from battery openings and prevent corrosive damage on batteries and the vehicle. Avoid all skin contact with acid.

⚠ WARNING

Watering a battery before charge (or with a low charge level) can lead to boil-over resulting in potential bodily injury and potential damage to the watering system, battery and vehicle.

Ensure that the work area is dry when servicing the vehicle, watering system, battery or battery charger.

4.2 Watering lead-acid batteries

Lead-acid batteries need to be watered periodically. The frequency depends upon battery usage and operating temperatures. Check new batteries every week to determine the watering frequency of the vehicle. It is normal for batteries to need more watering as they age.

Depending on the local climate, charging methods, application, etc. it is recommended that batteries are checked at least once a month until they provide information on how often the batteries need refilling.

⚠ WARNING

Do not fill the batteries with water before charging. This will increase risk of acid overflow from the battery, consequently losing capacity and causing corrosion. Do not use water with a high mineral content. Use distilled or deionized water only. Fully charge the batteries prior to adding water. Only add water to discharged or partially charged batteries if the plates are exposed, and only until the plates are no longer exposed.

04 BATTERY

4.2.1 Lead-acid batteries: Using the water filler system

Lead acid batteries require frequent refilling of **distilled or deionized water**. The Club Car Urban with lead-acid batteries are equipped with the Trojan® HydroLink™ Watering system, which eases the refilling of water to the batteries. An approved Flow-Rite water supply is required for correct refilling of the batteries.

Use only the approved Flow-Rite water supply that came with the vehicle.

Use of unapproved water supply or modification of approved water supply can lead to system failure and will void applicable warranties.

Only fill batteries after they have been fully charged, and require water. Watering a battery before charge (or with a low charge level) can lead to boil-over resulting in potential bodily injury and potential damage to the watering system, battery and vehicle.

⚠ WARNING

If at any time during the filling process a valve failure occurs, disconnect immediately or too much water may be added to the cell. This can cause the battery to overflow acid, causing corrosion and potential personal injury or damage to batteries.

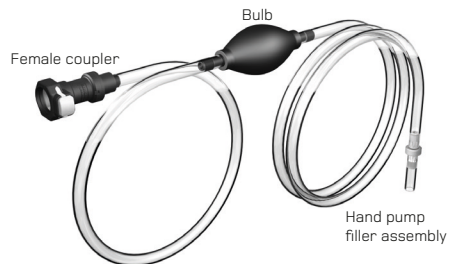
4.2.2 Using the flow-rite hand pump

To operate the hand pump enclosed for watering the batteries, please follow the procedure below.

Note: Other Flow-Rite products recommended for the Trojan® HydroLink™ Watering system can also be used. Please see www.flow-rite.com for more information.

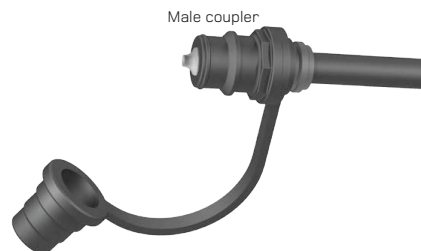
STEP 1

Check hand pump for proper operation. Insert the hand pump filler assembly into a jug of distilled water. Prime bulb by squeezing until it is filled with water. Ensure that the device is free of holes or other defects.



STEP 2

Remove the dust cover on the battery hose.



STEP 3**Mate Couplers**

Insert the male coupler on the HydroLink™ Watering System into the female coupler on the Flow-Rite Hand pump.

**STEP 4****Fill water to batteries.**

Squeeze the bulb with firm pressure to begin pumping water into the battery cells. When the bulb becomes firm, all cells are full and filling is complete.

**STEP 5****Disconnect**

When the bulb becomes firm, and not before, immediately disconnect the couplers by depressing the push button on the female coupler. Disconnecting before the bulb becomes firm will lead to under-filled cells that will impact the battery's performance and shorten its life.

**STEP 6****Replace dust cover**

Place dust cover back over the male coupler. Do not push cover past the large barb on the coupler.

TIP: If the dust cover is slightly squeezed when sliding it over the coupler, it will create a vacuum, allowing it to hold tightly.



4.3 Lead-acid batteries preventive maintenance

4.3.1 Inspection of batteries

- Examine the outside appearance of the battery. Check the tops of the battery and terminals. These needs to be clean, free of dirt, debris and corrosion.
- Make sure the outside of the batteries remain dry at all times.
- If any fluids are present on the battery top, this could indicate that the battery is being over-watered or that a malfunction in the Trojan® HydroLink™ System has appeared. If so, contact your local repair shop, as there may be a problem with the installation and it needs to be serviced. Only allow a trained battery service technician to service batteries. It is recommended that battery maintenance is provided by a trained Authorized Club Car Service Dealer in order to ensure the best possible treatment of the vehicle.
- Check battery cables and connections, ensure that all connections are in good working order and replace connections that are damaged and/or worn. Tighten all loose connections. It is recommended that battery maintenance is provided by a trained Authorized Club Car Service Dealer in order to ensure the best possible treatment of the vehicle.
- Electrolyte levels: It is recommended that the electrolyte levels are checked in each cell after the system has been installed and operational for three months. Use the 'Independent Water Level Indicator' to check the electrolyte levels. HydroLink™ comes with an Independent, non-mechanical Water Level Indicator that is simple to read: white means that the battery needs water and black means that the battery has enough water.



Your HydroLink™ Watering System requires regular preventative maintenance on at least a quarterly basis. Inspect the condition of all tubing connections and couplers and the water filling system

Make sure that all parts are in good working condition and are secure, leak free and properly connected. The coupler must have an O-ring and dust cover properly attached.

4.3.2 Cleaning batteries

- Clean the top of the battery, the terminals, and all connections with a cloth or brush with a solution of baking soda and water (ensure that none of the baking soda solution gets inside of the battery). Use 1lb of baking soda for 1 gallon of water (120g for 1 litre of water).

- Rinse with plain water and dry the battery
- If possible, add a thin layer of terminal protector (Available at most battery dealers or auto parts stores).
- Always keep batteries dry and clean.

4.3.3 Removing corrosion from battery poles

Make sure that the poles and the surface of batteries are clean at all times. To remove corrosion, add a solution of water and baking soda. Use 1lb of baking soda for 1 gallon of water (120g for 1 litre of water). Do not allow any cleaning solution to enter the battery cells. If baking soda is not available, a terminal brush can be used to clean the battery poles. Terminal brushes can be found at most local hardware supplies.

4.4 Storage of batteries

Plug the charger in when the car is in storage, the charger automatically maintenance charge the batteries.

- Store in a cool, dry location, protected from elements that can damage batteries.
- Disconnect from equipment to eliminate potential electric loads that may discharge the battery.
- Batteries gradually self-discharge during storage. Monitor the specific gravity or voltage every 4-6 weeks. Stored batteries should be given a boost charge when they are at 70% state of charge (SOC) or less.
- When batteries are taken out of storage, recharge before use.

4.4.1 Storage in hot environments (higher than 90°F (32°C))

Avoid direct exposure to heat sources, if possible, during storage. Batteries self-discharge faster in high temperatures. If batteries are stored during hot, summer months, monitor the specific gravity or voltage more frequently (approximately every 2-4 weeks).

4.4.2 Storage in cold environments (less than 32°F (0°C))

Avoid locations where freezing temperatures are expected during storage if possible. Batteries can freeze in cold temperatures if they are not fully charged. If batteries are stored during cold periods, it is critical that they are kept fully charged. Never charge a frozen battery.

4.4.3 Water supplies

Water supplies must be drained and stored in an empty state if they will be exposed to freezing temperatures. Failure to do so can cause permanent damage to the watering supply.

4.4.4 Watering system

If the vehicle is taken out of service or put into storage for a period of 6 weeks or longer, the HydroLink™ Watering System will require seasonal maintenance. No special steps needs to be taken for winterization of a HydroLink™ Watering System that is installed on the batteries; however, the following steps need to be followed when bringing the vehicle back into service:

1. After the batteries have been fully charged/equalized, check the HydroLink™ water level indicator on each battery and refill water if needed.
2. Return the vehicle to its regular service.
3. Restart the vehicle's regular watering schedule (waiting at least 1 week until next watering).

4.5 General information about Trojan® batteries

- A new battery will not deliver its full rated capacity. This is normal and should be expected as the battery needs to be 'worked up' over time.
- Trojan® batteries take between 50-100 cycles to 'work up' before providing full peak capacity.
- When operating batteries at temperatures below 80°F (27°C), they will deliver less than the rated capacity. For example at 0°F (-18°C), batteries will deliver
- The life time of a battery can be difficult to predict as, among other things, it varies with charging cycles, frequency of usage and level of maintenance

For further information regarding Trojan® batteries, please refer to Trojan® Battery's official website: www.TrojanBattery.com

For further information regarding the HydroLink™ Watering system with Snake™ Tub-ing, please refer to Trojan® Battery's official website: www.TrojanBattery.com

4.6 Lithium Batteries – Relion Insight (blue batteries)

Lithium batteries work differently than lead-acid batteries, so it is important to pay attentio to the Battery Usage Unformation found below:

BATTERY USAGE INFORMATION

Battery power All battery units are connected. Pressing ON/OFF on any battery will effect the entire battery pack.	Important The red Main Switch under the passenger seat must always be turned to ON for the charger to work.
Note 1 The batteries will automatically turn off after 0-3 days without use (depending on state of charge), if not plugged into a wall socket. To start using the car again, the batteries must be manually turned on, or the charger cable must be inserted into the socket on the dashboard.	Best Practice A couple of hours before you need to use the car, unplug the charging cable, wait 15 seconds, and re-insert it. The charger will now re-detect if it is necessary to charge the battery and you will get the best performance from your lithium powered Garia

G21 755 053 00

Always turn ignition key to "OFF" when the vehicle is not in use. The battery can be drained in 1 to 2 days if the ignition key is left in "ON". To restart the vehicle, find your nearest dealer at www.clubcarurban.com.

Daily Charging Procedure

- Plug the charger cable into the charger plug on the dashboard once a day, allowing for a full charge, approximately 6-8 hours. (Full charge = The LED, next to charger plug on the dashboard, lights up solid green).

Storing Garia "short term" (between weekends)

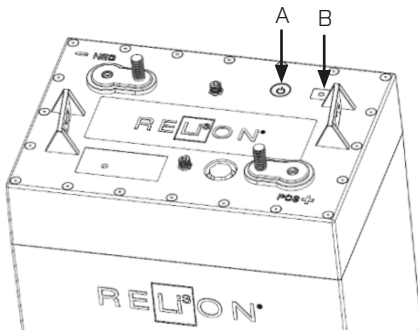
- Plug the charger cable into the charger plug on the dashboard and leave it plugged in. The battery charger will monitor the voltage while plugged in and charge the battery when needed.

Storing the Garia for "long term" (more than a week)

- Fully charge the car, then unplug the charger cable. Turn the battery pack OFF by following the guide below.

TURN BATTERIES ON/OFF:

- There is a power button located on each battery under the seat. The entire battery pack will turn ON/OFF by pressing anyone of these power buttons as described below:



A: Power ON/OFF button
B: LED1 and LED2

ACTION	OPERATION
Power ON	Press and hold button for 5s until: LED1 Flashes Green Then release button
Power OFF	Tap, release, then press and hold button for 6s until: LED1 Solid Red LED2 Solid Red Then release button

To turn on the batteries, press and hold the power button on one of the batteries until you see the first LED1 flashes green. You will notice that the remaining batteries will automatically wake up.

Note 1: The batteries will automatically turn off after 0-3 days without use (depending on state of charge), if not plugged into a wall outlet. To start using the car again, the batteries must be manually turned on as described above, or the charger cable must be inserted into the charger plug on the dashboard.

Important: The red Main Switch under the seat must always be turned to ON for charger to work.

04 BATTERY

4.7 Lithium Batteries – Relion Black Box (standard on N1)

Always turn ignition key to “OFF” when the vehicle is not in use. The battery can be drained in 1 to 2 days if the ignition key is left in “ON”. To restart the vehicle, find your nearest dealer at www.clubcarurban.com.

Regular use of car

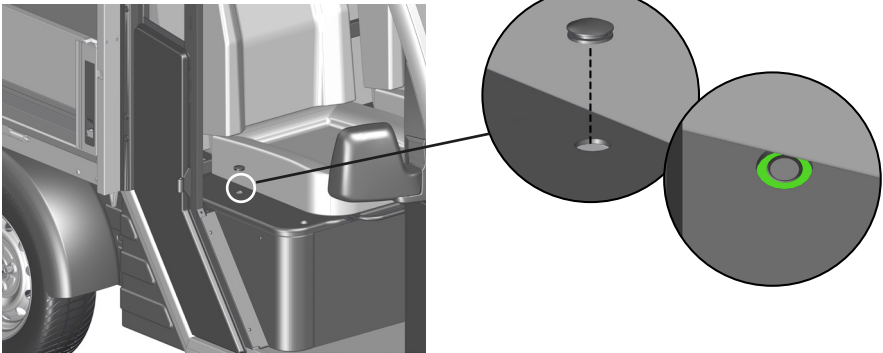
Connect charger to wall socket after each use to ensure full state of charge. Intermittent charging of the battery is also OK. The charger will maintain the battery and must always be connected when the car is not in use. This will ensure optimum battery performance and charge the battery as needed. If car is not connected to the wall socket the battery will constantly experience a small discharge. If the battery is left unused for 7 days the battery will shut off automatically. If battery state of charge reaches 2% prior to the 7 days the battery will turn off.

To restart the car after an automatic shutdown, switch the battery on as described in “Turning the battery off and on”. Connect charger cable to wall socket for a full charge before the car is used.

Storage of car (no usage in 14 days or more)

Connect the charger cable and charge the car fully (solid green light in charger LED on dashboard). Disconnect the charger cable and turn off the battery.

Turning the battery off and on



The battery switch is located on the battery under the right hand seat. Remove the rubber plug to gain access to the switch. When the battery is on, the button lights up green.

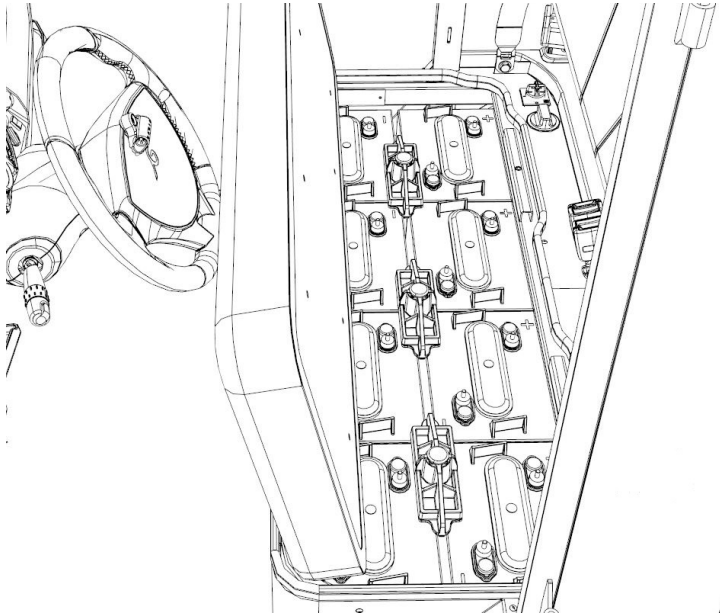
To switch off the battery, press the button a few seconds until you hear a clicking sound, then release the button. The battery is now switched off. The main switch can be in “ON” or “OFF”.

The battery is switched on by a normal press on the same button.

Accessing the battery

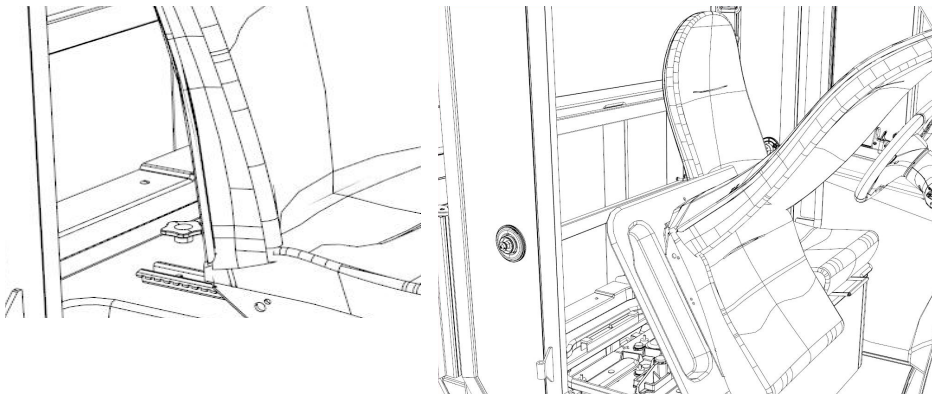
The battery is located under the seat and may consist of one large lithium battery or several individual batteries either lithium or lead-acid based.

To access the batteries swing upen the seat cushion (bench seat only) as seen below:



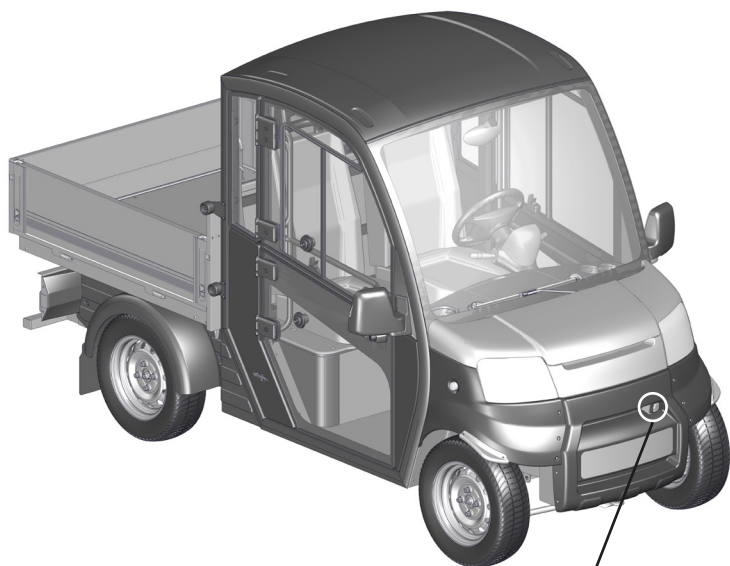
For vehicles with 2 individual seats the following steps are required:

- Adjust passenger side seat all the way forward
- Loosen the tightening knob located behind the seat
- swing forward the seat
- Repeat on driver side

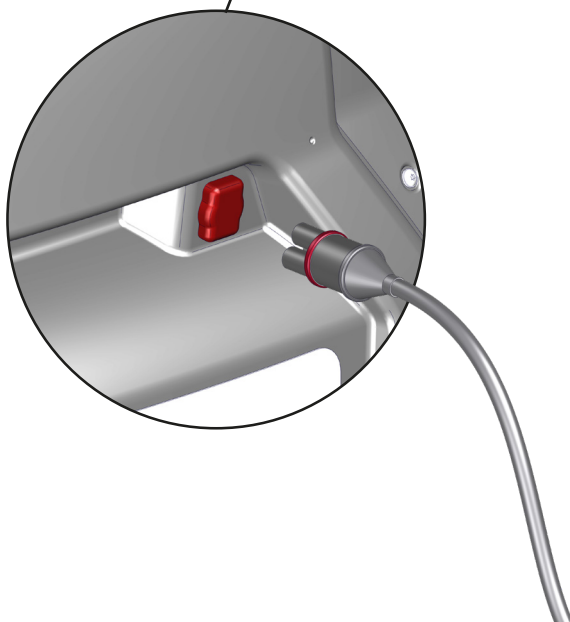


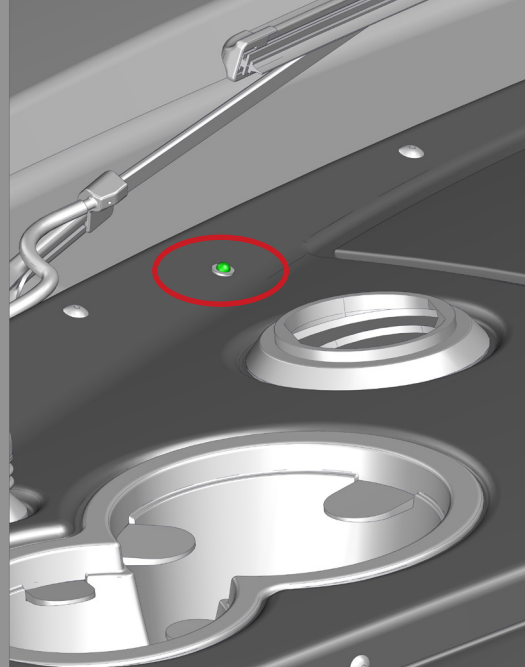
04 BATTERY

Charger socket



The charger socket is located at the front of the vehicle. Lift up the charging port hatch and connect the charging cable to the socket.





Charger LED

The charger LED is located just in front of the air duct, on the dashboard, driver side of the cabin.

When connecting the charger cable the LED will blink red-yellow-green. This indicates that the vehicle has registered the power input and can start to charge the batteries.

When the state of charge (SoC) is below 80%, the charger LED will flash green.

When the SoC exceeds 80%, the LED will flash green at a slower pace.

When SoC is 100% the LED will light up in solid green. The car is now fully charged.

In case of a charger malfunction the DeltaQ charger LED will blink red X amount of times indicating the fault code on the charger, if this happens please contact the nearest Club Car dealer for further support.

Important: The red Main Switch under the seat must always be turned to ON for charger to work.

Charging time

The charging time depends on a number of different factors. It is expected that the battery can charge from 30% to 100% in approximately 7 hours. This is, however, dependent on the ambient temperature, the SoC and the general condition of the batteries.

⚠ WARNING

When charging the battery, please be aware of the following:

- Never charge a frozen, leaking or damaged battery
- Avoid charging at temperatures above 49°C (120°F).

Battery maintenance and care

Maintaining the battery properly includes always charging the battery after use.

Preventive maintenance

Inspection of the battery:

- Examine the outside appearance of the battery. Check the terminals. These needs to be clean, free of dirt, debris and corrosion.
- Make sure the outside of the batteries remain dry at all times.
Check battery cables and connections, ensure that all connections are in good working order and replace connections that are damaged and/or worn. Tighten all loose connections. It is recommended that battery maintenance is provided by a trained Authorized Club Car Service Dealer in order to ensure the best possible treatment of the vehicle.

Equipment for handling the battery

- Rubber hand held wrench
- Volt meter (for testing voltage)

DANGER

Metals in contact with battery poles can cause arcs which can result in severe personal injuries.

Re-tightening the battery posts are very important to insure that malfunctions are kept at a minimum. Always use a torque wrench to tighten the battery posts, the correct amount of torque is 9-10 Nm or 80-88 in-lbs for lithium batteries and 11-12 Nm or 95-105 in-lbs for lead-acid batteries.

The batteries should only be handled by experienced and trained mechanics with education in handling low-voltage componetes. Please consult your nearest Club Car dealership before handling the batteries.

Towing

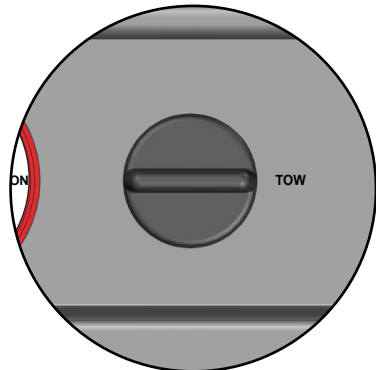
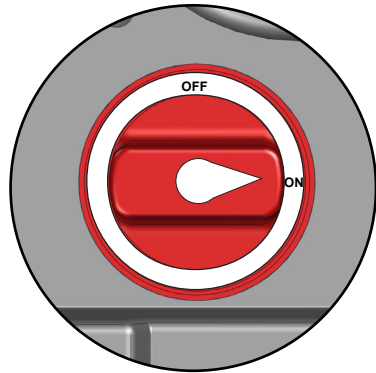
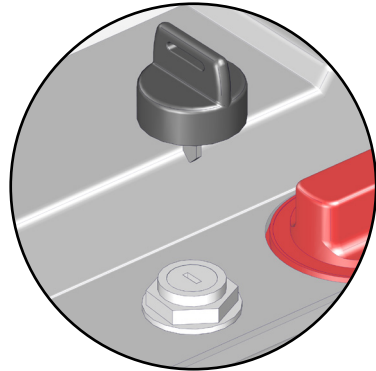
To activate the towing function, the tow switch in the battery compartment behind the right hand side seat must be engaged. This can only be done by using the additional key which came with the car at its delivery. Please note, this key is not the same as the ignition key. It is recommended that the key is removed from the keyhole whenever the towing function is not activated. Doing this prevents unauthorized removal of the vehicle.

The main switch (behind the seats) must be "ON".

Ignition key must be set to "ON"

Insert the tow key and set to "TOW".

Now the car can be pushed or towed using the tow bar located in front of the vehicle.



⚠ WARNING

The car can roll when in tow mode. Don't leave the car on a slope in tow mode.

NOTICE

Never leave the vehicle in tow function, as this will drain and permanently damage the battery.

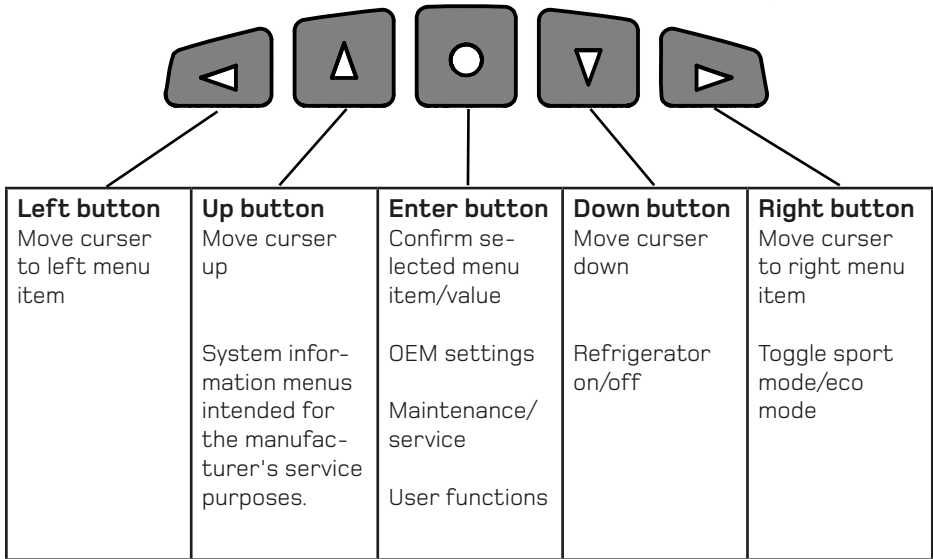
Instrument cluster



	Navigation buttons
	Indicators, left, right
	Low beam
	High beam
	Position lights
	Rear fog light
	Windshield heater
	Refrigerator on
R N D	Gear indicator
ODO 105.6 TRIP 24.3	Odometer/Trip

	Eco mode
	Sport mode
03:45	Clock
	Battery state of charge (Soc)
	Acoustic vehicle alerting system (AVAS)
	Door(s) ajar
0	Speedometer
	Parking brake
	Low brake fluid

Navigation buttons



- OEM Settings**
- Maintenance/Service**
- User Functions**
- Exit Menu**

OEM Settings
The OEM settings can only be accessed by the manufacturer for service purposes.

Maintenance/Service
The maintenance/service settings can only be accessed by the manufacturer for service purposes.

User functions

- Backlight**
- Time & Date**
- Metric/English**
- Maintenance Monitors**
- Reset Odometers**
- Exit**

Backlight
In the backlight menu the screen light can be adjusted.

Time & Date
Adjust the time and date

Metric/English
Choose between metric or imperial units

Backlight
Time & Date
Metric/English
Maintenance Monitors
Reset Odometers
Exit

Maintenance Monitors

Information about maintenance schedules

Reset odometers

Reset different trip odometers

Time and date

Set Hour **09**
Set Minutes **43**
Set Year **2022**
Set Month **05**
Set Day **05**
Set Weekday **Thu**
Save & Exit
Cancel

In this menu you can adjust the time and date. Use the left/right buttons to select the different menu items, and adjust the selected value using the up/down buttons.

Backlight

Backlight Low **6**
Backlight High **9**
Save & Exit
Cancel

Backlight low is for adjusting the screen light in low light, i.e. at night. Backlight high is for adjusting the screen light in bright light, i.e. in daytime.

The screen light can be adjusted from 1 to 10.

Select Save & Exit to store the chosen values.

Reset odometers

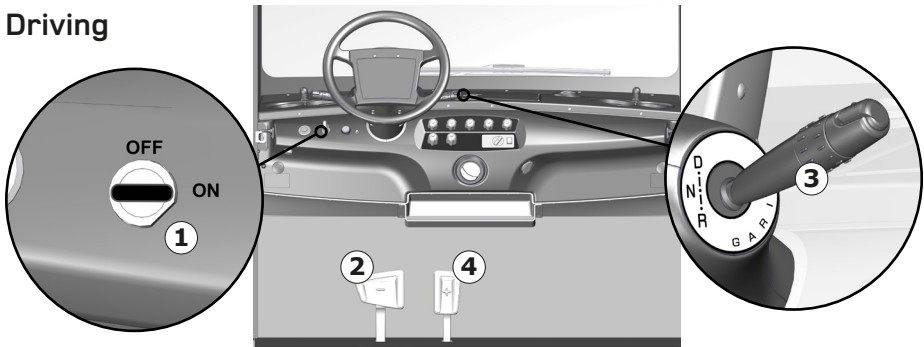
Reset Odometer 1 **000054.6 (R)**
Reset Odometer 2 **000021.1 (R)**
Reset Odometer 3 **000075.7 (H)**
Reset All
Exit

The resettable odometers can be reset. The historical odometer is persistent and cannot be reset.

(H) = Historical
(R) = Resettable

This page is intentionally left blank

Driving



Turn ignition switch ① to "ON"

Driving forwards: Push the brake pedal ② and select "D" by pushing the gear selector arm ③ upwards.

Driving backwards: Push the brake pedal ② and select "R" by pushing the gear selector arm ③ downwards twice.

⚠ WARNING

Make sure that no people or obstacles are in the risk of being injured or damaged by the vehicle.

Never push the accelerator pedal when turning the ignition key. The vehicle may move suddenly if not operated correctly.

Accelerating

Step carefully on the accelerator ④ the vehicle will start to move. Always accelerate carefully.

NOTICE

When accelerator pedal is engaged, the parking brake will release automatically.

Braking

To brake or stop the vehicle, step carefully on the brake pedal ②. The vehicle will gently come to a halt. When the vehicle has come to a full stop, the automatic parking brake will engage. The vehicle will not move until the accelerator pedal is engaged. If an emergency occurs, the brakes are designed to handle an emergency braking incident. However, after any emergency braking incident, carry out a brake maintenance check. Please consult a qualified repair shop. Club Car recommends that maintenance is provided by an Authorized Club Car Service Dealer.

Rough terrain driving

Always make sure that the greatest precautions are taken when driving in rough terrains. The vehicle's ground clearance is 5.5 inches (approx. 140 mm). Always drive slowly and always be ready to stop. Rough terrain driving can cause situations that are damaging to the vehicle, therefore always drive very cautiously. Avoid driving in hilly areas and at tilted angles. The weight distribution of the vehicle can cause it to tip unexpectedly when placing the vehicle at excessive tilted angles. The vehicle is not constructed for rough terrain use, and this should be avoided as far as possible.

Hill hold and roll back

The Club Car Urban features a hill hold function which keeps the car at steady speeds when starting and stopping on a slope.

When stopping, the motor will keep the car steady for two (2-3) seconds before the parking brake engages.

If the ignition switch is not turned off, the vehicle will remember the amount of torque added when stopping and apply the same amount of torque when starting again to ensure a smooth start and limited roll back.

Should motor stall appear, the parking brake will engage immediately and the ignition key must be switched to "OFF", then "ON", and finally the gear selector stalk must be put in "D" to start driving (or "R" for reversing).

Emergency braking (N1 only)

If the service brake should fail, it is possible to stop the vehicle by pushing the Dynamic emergency brake button.

The parking brake will be engaged when the vehicle has come to a full stop.



⚠ WARNING

This type of braking is for emergency use only, if the service brake should fail. It can potentially cause personal injuries or damage to the drive train or tires of the vehicle. Brake lights will not come on when performing emergency or motor braking. Only perform this type of braking without closely-following traffic and only in emergency situations. Any damage to or malfunction of the braking system can result in severe injury or death. Always make sure that the brakes are fully functioning. After emergency braking, have the brakes checked an authorized Club Car repair shop.

Regenerative braking

When driving the Club Car Urban, the traction motor will perform regenerative braking of the vehicle. When releasing the accelerator pedal while driving, the motor will charge the battery while slowing the vehicle down.

It is possible to greatly increase the electric range of the vehicle and extend the life of the service brakes with this function.

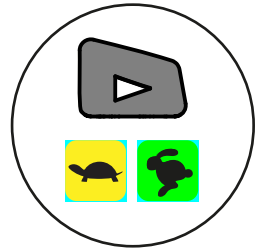
Braking with parking brake

If the parking brake should engage during driving at higher speeds than 6 mph (10 km/h) please contact a qualified repair shop for a parking brake safety and function check. Parking brake performance degradation can occur if it has been subject to unintended use. It is recommended that maintenance is provided by an Authorized Club Car Service Dealer.

Speed switch

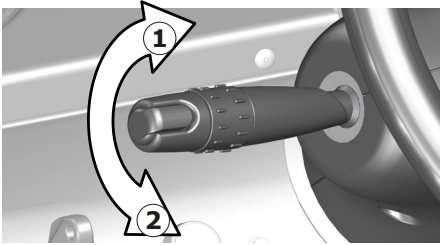
The vehicle is equipped with a speed switch to change between ECO mode and SPORT mode. In ECO mode the car will have maximum range and a top speed of 16 mph/25 kph. In SPORT mode the car will accelerate faster, have shorter range and a top speed of up to 34mph/55 kph (N1 model).

Toggle between ECO and SPORT mode by pushing the right navigation button on the instrument cluster. Symbols on the screen will indicate the actual mode.



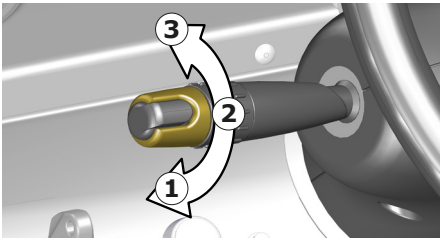
This page is intentionally left blank

Lights and indicators



Turn signal arm

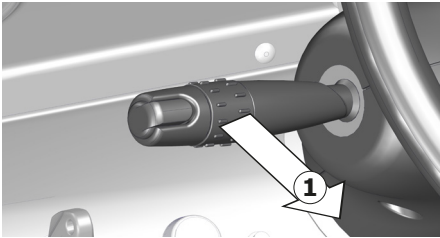
- ① Right turn signal
- ② Left turn signal



Light switch

The light switch ring has 3 positions.

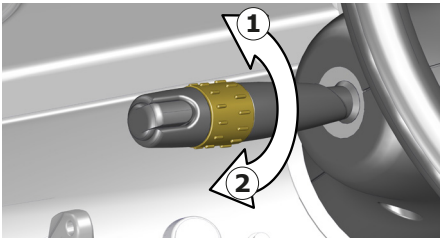
- ① Light off
- ② Position light
- ③ Low beam on



High beam

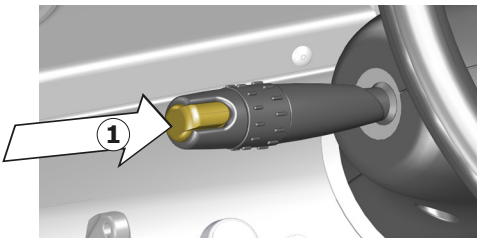
- ① High beam

The high beam can only be activated when the light switch ring is in 3rd position.



Fog light, rear

- ① Light on
- ② Light off

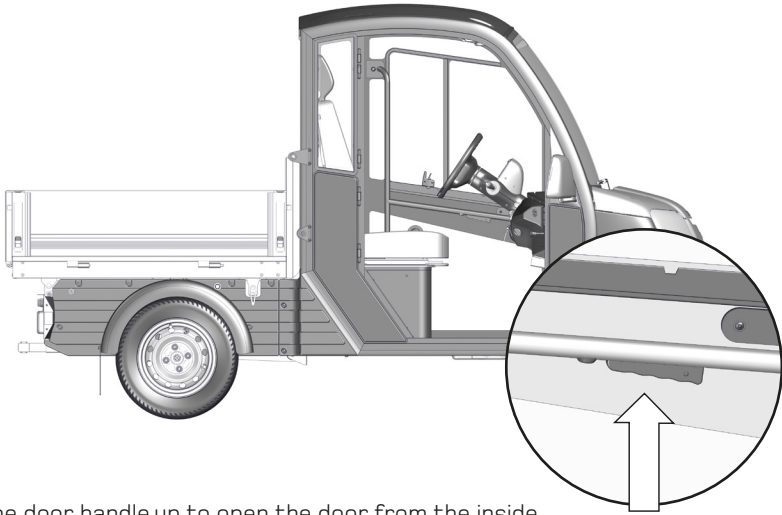


Horn

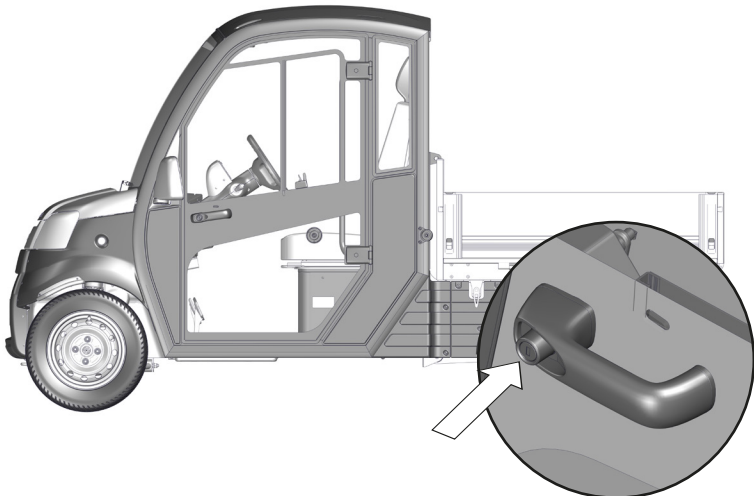
- ① Horn signal button

Door and side window

Opening and closing the door

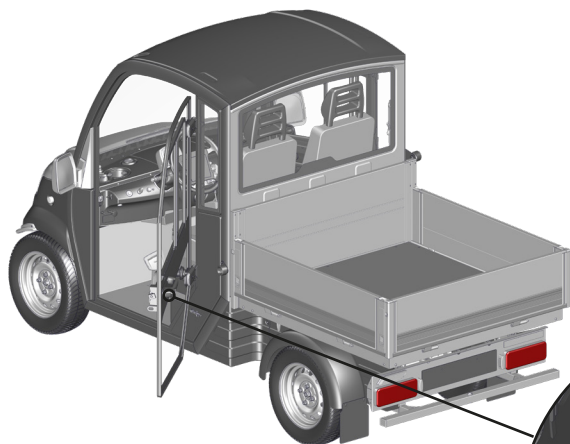


Push the door handle up to open the door from the inside.



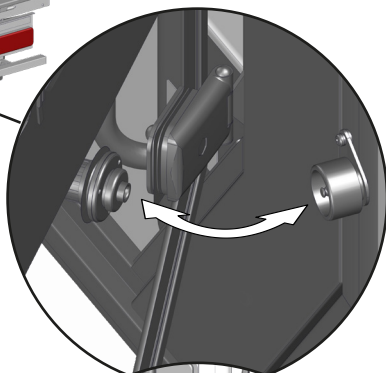
From the outside, open the door with the key. Open the door by pushing the button.

Door retainer catch

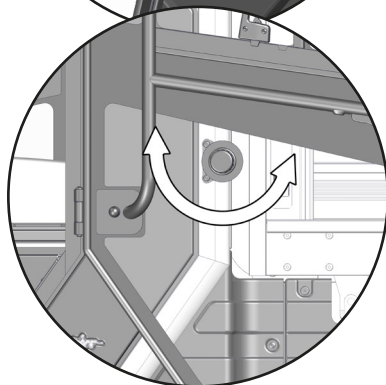


The vehicle is equipped with a door catch mechanism.

Open the door fully until it hits the door catch



Turn the inside door release knob to disengage the catch mechanism. The knob can be turned both ways.



⚠ DANGER

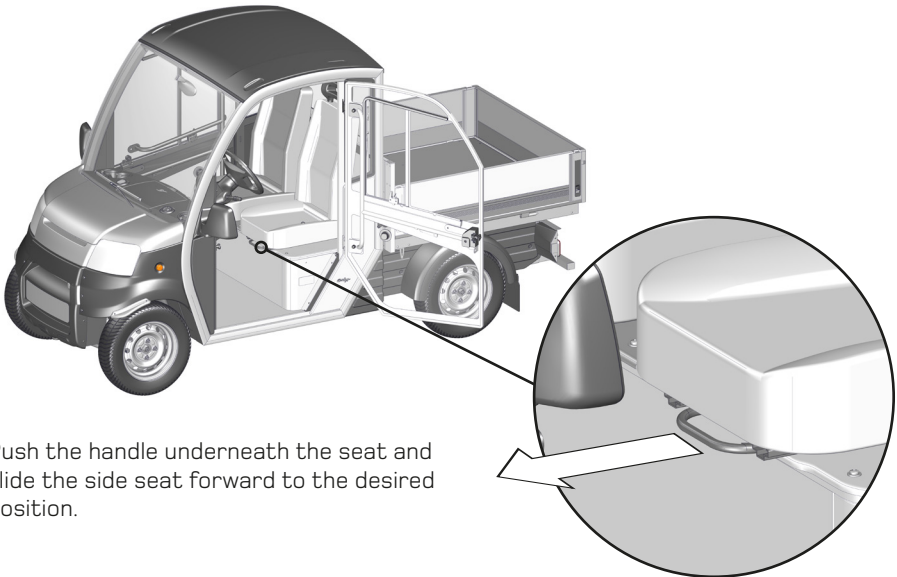
Never drive with the doors open. There is risk of falling out.

Side windows



Push the locking mechanism towards the handle. Slide the side window open.

Seat adjustment



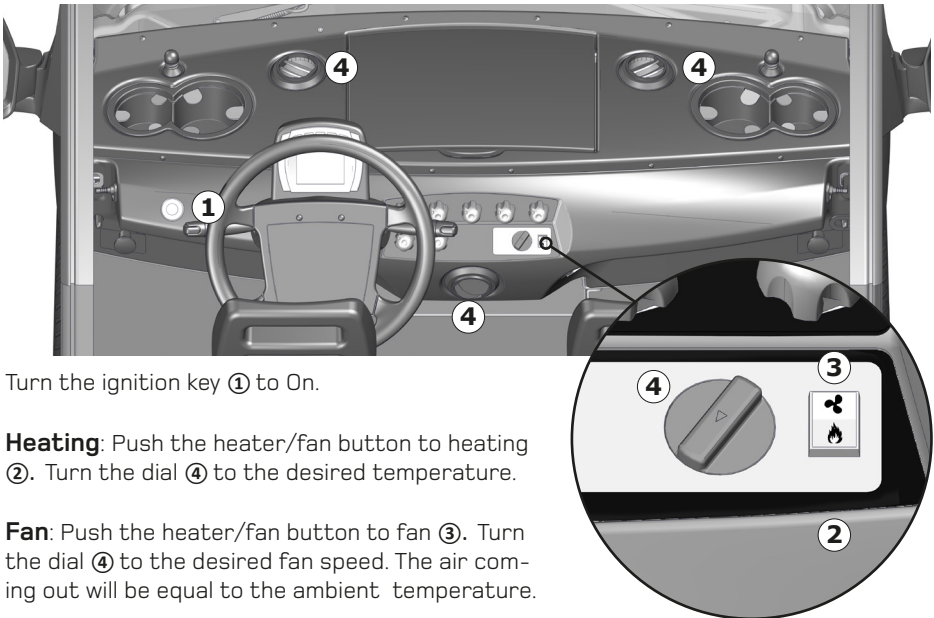
Push the handle underneath the seat and slide the side seat forward to the desired position.

⚠ DANGER

Do not adjust the seat while the vehicle is in motion.

Cabin heater/fan

Some of the following elements are optional equipment. Consult your Club Car dealer.



Turn the ignition key ① to On.

Heating: Push the heater/fan button to heating ②. Turn the dial ④ to the desired temperature.

Fan: Push the heater/fan button to fan ③. Turn the dial ④ to the desired fan speed. The air coming out will be equal to the ambient temperature.

All airducts ④ can be rotated and tilted for optimal heating/ventilation.

⚠ WARNING

Do not touch the cabin heater components under the bonnet, as they can become very hot. Allow the cabin heater to cool completely before touching any of its components.

⚠ CAUTION

Use diesel fuel only for the cabin heater.

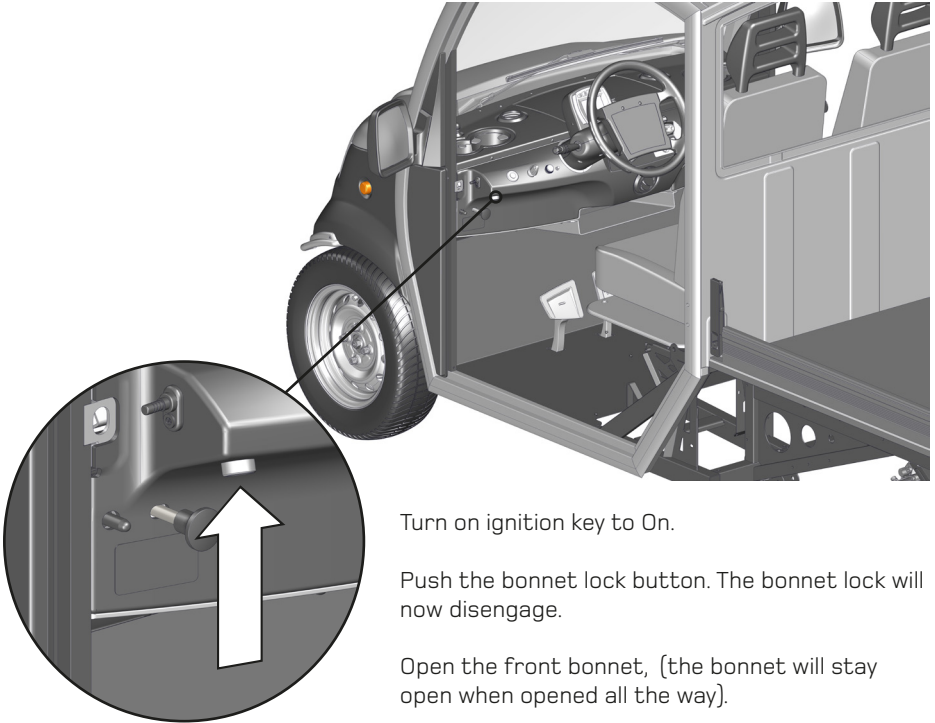
NOTICE

When using the cabin fan, the heating system will be disabled.

NOTICE

Remember to switch the cabin heater off again after use. Otherwise the heater will continue to run until the diesel tank is empty. When turned off, the heater cools off and some noise can be expected.

Bonnet compartment



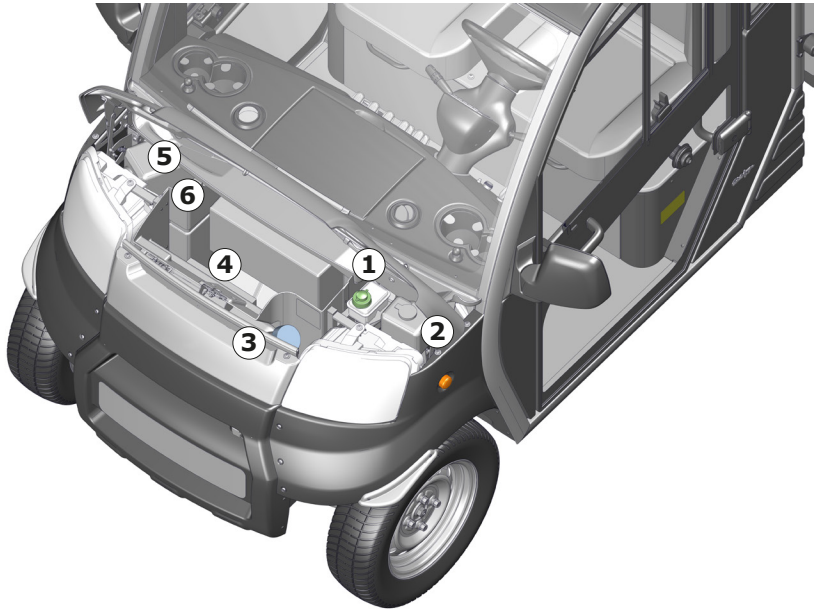
Turn on ignition key to On.

Push the bonnet lock button. The bonnet lock will now disengage.

Open the front bonnet, (the bonnet will stay open when opened all the way).

Make sure to close and check that latch has secured the bonnet before driving again.





- ① Brake fluid reservoir
- ② Washer fluid reservoir
- ③ Diesel tank
- ④ Storage compartment
- ⑤ Diesel cabin heater
- ⑥ Fuse box

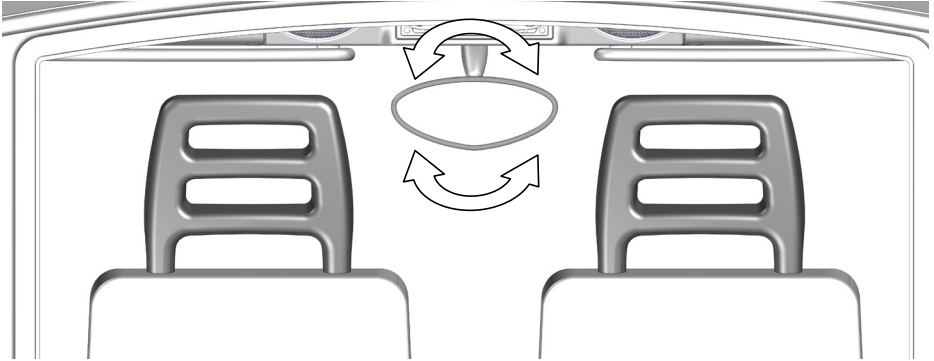
⚠ CAUTION

Do not drive while the bonnet is open. Do not open the bonnet while driving.

⚠ WARNING

The diesel cabin heater components can become very hot. Allow to cool completely before touching.

Adjusting rearview mirror

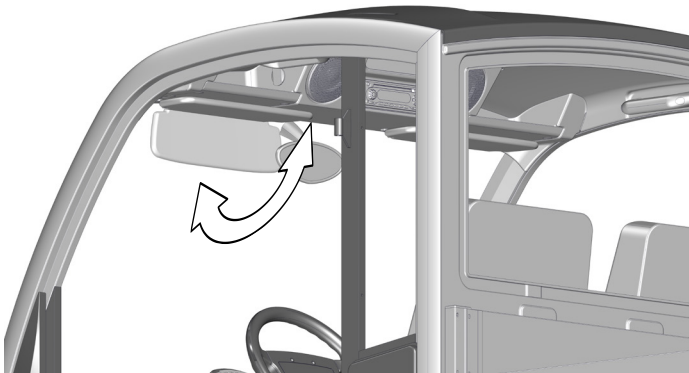


Adjust the rear view mirror to ensure that the view to the rear is as unobstructed as possible. Wrong adjustment can cause dangerous traffic situations and cause accidents resulting in severe personal injury, death or material damage. The mirror has a tip-function for convenience to avoid blinding from behind coming traffic. The anti-blinding function is activated by pushing the lever under the mirror forward.

⚠ CAUTION

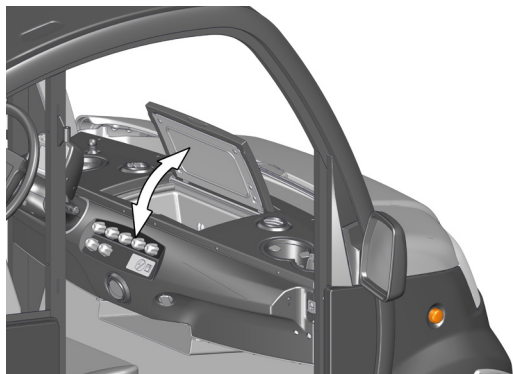
Do not adjust mirrors while driving. This takes focus off the driving and can create dangerous situations..

Sun visor



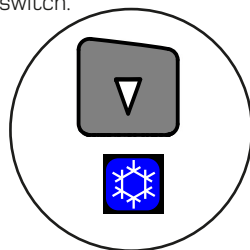
Adjust the sun visors for better visibility if the sun is bright. Always use caution when adjusting the sun visors while driving.

Refrigerator / Storage box



The refrigerator (optional) provides cooling for foods and beverages when the vehicle is in operation. When turned on via the button on the instrument cluster, the refrigerator constantly provides cooling when the vehicle ignition switch is turned to "On". The refrigerator will continue its cooling function for an additional 2 hours after the ignition switch has been turned "OFF", if the refrigerator is not turned off by its respective switch.

The refrigerator will stop functioning, if turned off by the switch on the instrument cluster or if the power is disconnected by the main power switch in the battery compartment. Turn the refrigerator on and off by pushing the Down navigation button on the instrument cluster. A symbols on the screen will appear.



Energy saving tips

- Allow hot food to cool down before you place it in the refrigerator.
- Do not open the refrigerator more often than necessary.
- Do not leave the lid open for longer than necessary.
- Defrost the refrigerator if a layer of ice forms.

Defrosting the refrigerator

Humidity can form frost in the interior of the refrigerator. This reduces the cooling capacity. Defrost the refrigerator frequently to avoid this.

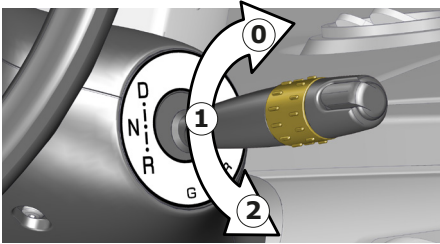
NOTICE

There is no drainage in the refrigerator. Do not attempt to make a drainage, as this will break insulation and destroy the refrigerator. The refrigerators cooling capacity depends on the ambient temperature, so the content will only be relatively cooler. Always clean the refrigerator after each use.

NOTICE

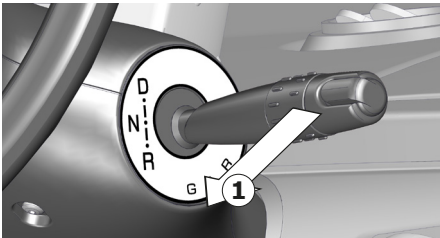
The use of the refrigerator requires battery power and decreases the vehicle range. Avoid using optional extra equipment excessively to avoid stalling while driving if battery power is low.

Windscreen wiper / washer



Wind screen wiper

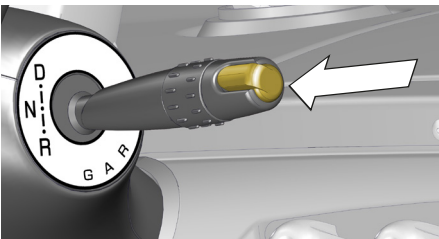
- ① Wiper of
- ① Wiper on, speed 1
- ② Wiper on, speed 2



Wind screen washer

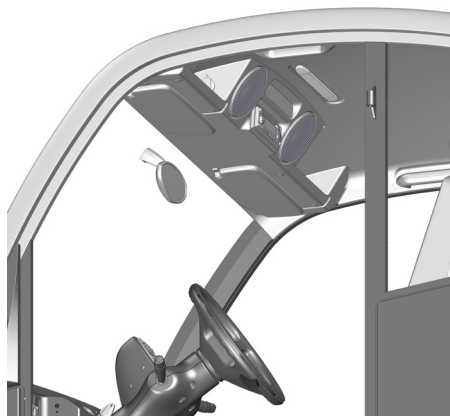
- ① Pull and hold to activate.

Heated windscreen



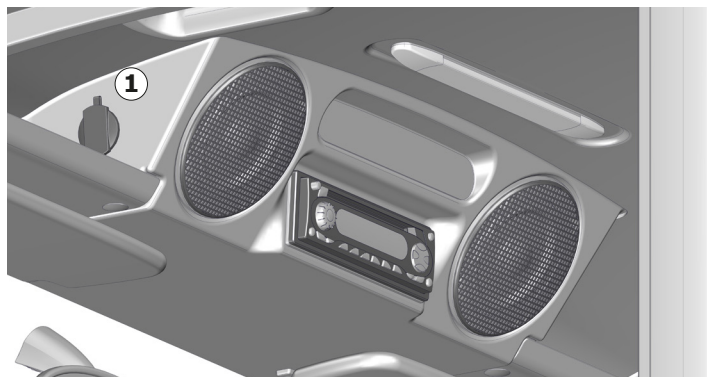
Push to activate the windscreen heating function. When the heater is on, an icon in the instrument cluster is shown. The heated windscreen will stay on for approximately 10 min. It will shut off by itself, unless the ignition key is turned off.

Interior light



The interior dome light can be switched on and off by turning the switch on the dashboard. Use only when vehicle is not in movement. Avoid driving while interior light is on, it can obstruct the vision of the driver, especially when driving in the dark.

Audio system



It is possible to fit a Club Car radio and stereo system in the head liner, contact an authorized Club Car dealer for installation options.

Output plug 12Volt

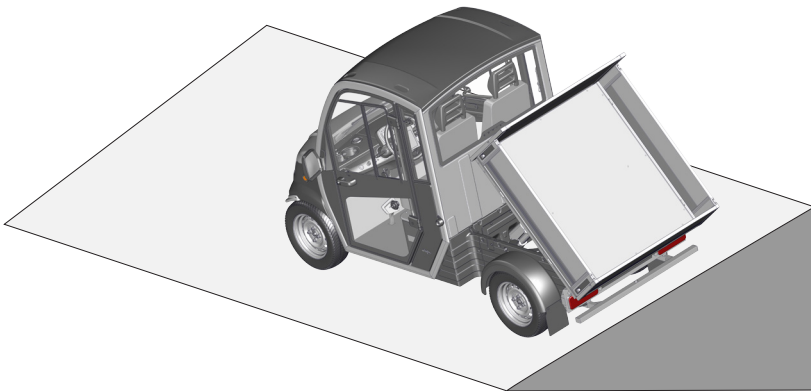
On the left handside of the radio there is a 12V output ① for charging phones etc.

Load bed tilt (optional)

The remote control for the tip function is located at the driver's seat. Press and hold the "up" button on the remote control to tip the load bed. Press and hold the "down" button to lower the load bed..

⚠ WARNING

**Always stand beside the vehicle while operating the tilt bed.
Never stand on the load bed while operating the tilt function.
Take care to avoid injury to hands and feet when in the vicinity of moving mechanical parts.**



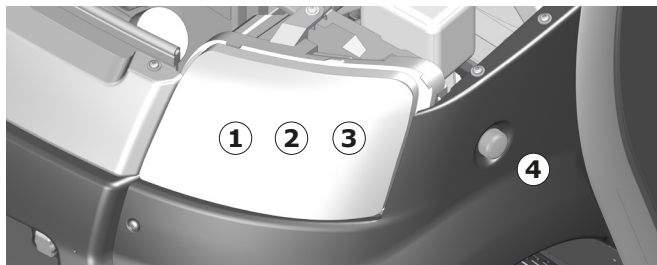
⚠ CAUTION

ALWAYS use caution when tilting the load bed on an uneven surface.

Maintenance

Replacing front light bulbs

To replace the bulb of the headlight, access the socket from within the front storage compartment. Remove the washer fluid reservoir and disconnect the two clips in each side and remove the plastic cover on the back of the headlight. Each bulb has separate connectors, disconnect the connector for the defective bulb by releasing the locking mechanism on the connector.



Bulb type:

Head lights ①: H4.

Position lights ②: W5W Glass socket.

Indicator lights, integrated in head lights ③.

Side indicator lights ④: LED, must be replaced as a whole unit.

Replacing rear light bulbs and indicators

The rear light LED system and the indicators is a closed circuit, and LEDs cannot be replaced separately. Please consult a qualified repair shop. Club Car recommends that all maintenance and repairs are provided by an Authorized Club Car Service Dealer.

⚠ WARNING

Hot bulbs can cause severe burns. Always disconnect cables and do not touch the bulb until it has cooled off. Never touch a lighted bulb.

NOTICE

Never touch the glass of a bulb. Touching the glass will shorten the life of a bulb significantly. Use a glove or a cloth when handling a light bulb.
In order to provide the required legal luminous intensity, all LEDs must function properly. Always replace lights, if any LED is not functioning correctly.

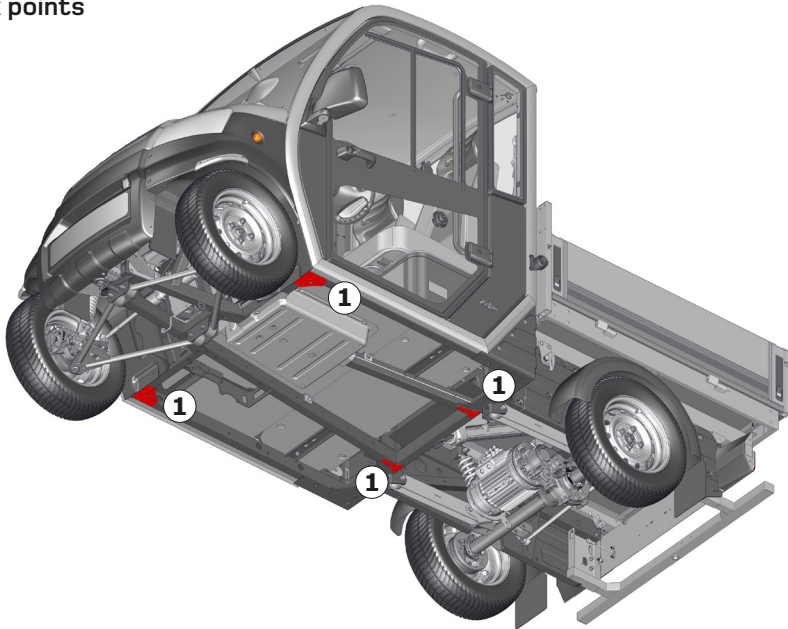
Jacking up the vehicle

⚠ WARNING

To reduce the risk of severe injury or death from a vehicle falling from a jack or a jack stand, ensure that the following precautions are taken:

- Vehicle is placed on a firm, stable and level surface
- No work is performed unless the vehicle is secured by jack stands.
- Chocks are in front of and behind wheels that are not being raised.
- Never work under a vehicle that is only supported by a jack.
- Extreme caution is exercised, since a lifted vehicle can be very unstable.

Jack points



Only use the jack-points ① when raising the vehicle for changing wheels or other work on the underside.

Wheel change

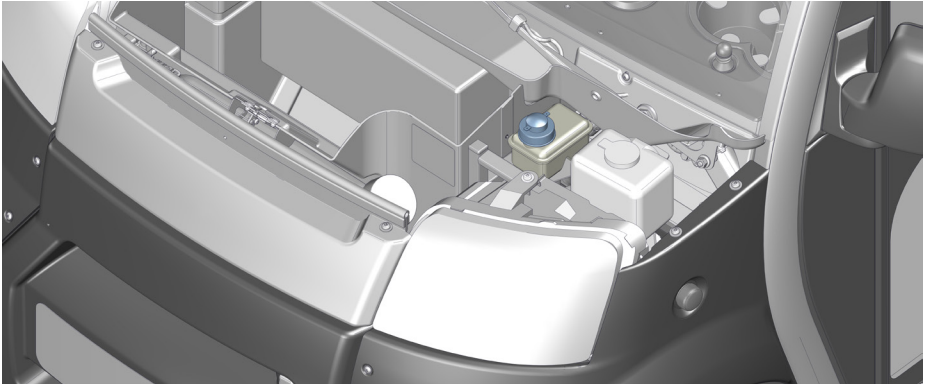


Jack the vehicle up using the jack points.

- Loosen the wheel nuts slightly (1/4 of a turn) before raising the vehicle (NEVER completely unscrew ANY of the bolts when the vehicle has not been raised.)
- Make sure that bolts are cross-loosened and cross-tightened (①, ②, ③ and ④).
- Raise the car and remove all bolts.
- The wheel can be removed and another can be mounted.
- Always use the same size and type of wheel for all 4 wheels on the vehicle.
- Use only original model-specific Club Car standard or optional wheels to ensure safe driving conditions and correct dimensions for the vehicle.
- When mounting a new wheel, reverse the steps mentioned above and tighten bolts.
- Cross-tighten the wheel bolts with cca tightening torque of 66 ft-lbs (90 Nm).
- Check tightening of wheel bolts after one week of driving, retighten if necessary.

Brake fluid

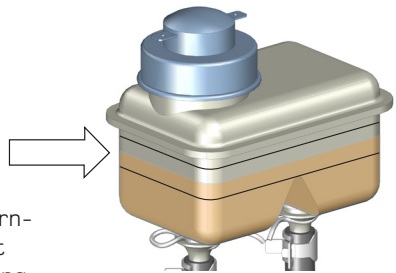
The brakes are a vital part when driving a car. It is of utmost importance to ensure that the brakes are functioning correctly at all times. It is recommended that a check of the brake fluid level is made regularly.



The brake fluid container is found under the front bonnet on the left side of the compartment.

The brake fluid level must be between the two indicator lines

This vehicle is equipped with a brake fluid level warning indicator which is on the instrument cluster. It informs the driver, if the brake fluid level is reaching a level too low for safe braking operation. If the light is lit in this indicator, it must be checked if a refill is necessary.



Always use DOT 4 brake fluid

If brake fluid levels are correct but the braking system shows irregularities, please stop driving the car and consult a qualified repair shop. Club Car recommends that all maintenance and repairs are provided by an Authorized Club Car Service Dealer.

DANGER

ALWAYS make sure that the braking system is functioning correctly. **Malfunctioning brakes can cause SERIOUS INJURY OR DEATH** to drivers or people near the vehicle. Always have the braking system checked by authorized Club Car service in case of any malfunctioning.

Cleaning the vehicle

When cleaning your Club Car vehicle, the following procedure ensures the best possible result to attain a look close to the vehicle's appearance when new.

WARNING

Always make sure to turn the main power switch to "OFF" before working on an electric vehicle. The combination of water and electricity is extremely dangerous and could be fatal.

CAUTION

Do not clean any part of the vehicle with a high-pressure cleaner.

Exterior

Spray the vehicle with running water (for example a garden hose) to wet the vehicle and to wash away larger pieces of dirt, dust or similar. Avoid getting water on the seats, dashboard and components inside the cabin like instrument cluster, knobs, drive selector etc.. Although durable for small amounts of water, the interior can be damaged when exposed to large quantities of water.

Apply water mixed with automotive shampoo (please follow shampoo manufacturer's instructions regarding mixture proportions and other instructions). Use a clean soft sponge or brush specifically for automotive exterior cleaning for applying on vehicle exterior. Wash off shampoo with running water (for example a garden hose) and dry vehicle with a chamois for automotive use.

Wheels

When using the same sponge for cleansing rims as exterior, it is strongly recommended that the exterior bodywork is cleaned before cleaning the wheels. If the cleaning is done in reverse, the dust from the wheels can risk permanent damage by scratching the painted surface of the exterior. Wet the rims with running water. Apply rim cleansing solution or automotive shampoo with a clean soft sponge or brush and rinse after a short while with running water.

Rubber flooring

Wet the rubber with running water. Apply rubber cleansing solution or automotive shampoo with a clean soft sponge or brush and rinse after a short while with running water. Dry surface gently with a chamois for automotive use. Allow flooring to dry completely before usage to attain the best result. Rubber shine products may reduce the no slip feature of the floor mat and cannot be recommended. Clean thoroughly using soap and water.

Interior

To clean the interior, use a moist cloth or chamois to wipe the surfaces. For thorough cleaning, use automotive interior cleaning solutions and follow instructions carefully. Avoid using running water or high pressure cleaner for cleaning the interior.

Seats

For cleaning the seats and other parts of the interior of similar fabric, wipe with warm water using a wrung cloth. The water can contain mild detergents, with mixture proportions according to manufacturer's specifications. Do not use running water, high-pressure cleaning, solvents, bleaches, abrasives, synthetic detergents, wax polishes or aerosol sprays. Avoid contact with sharp objects.

Battery maintenance and care

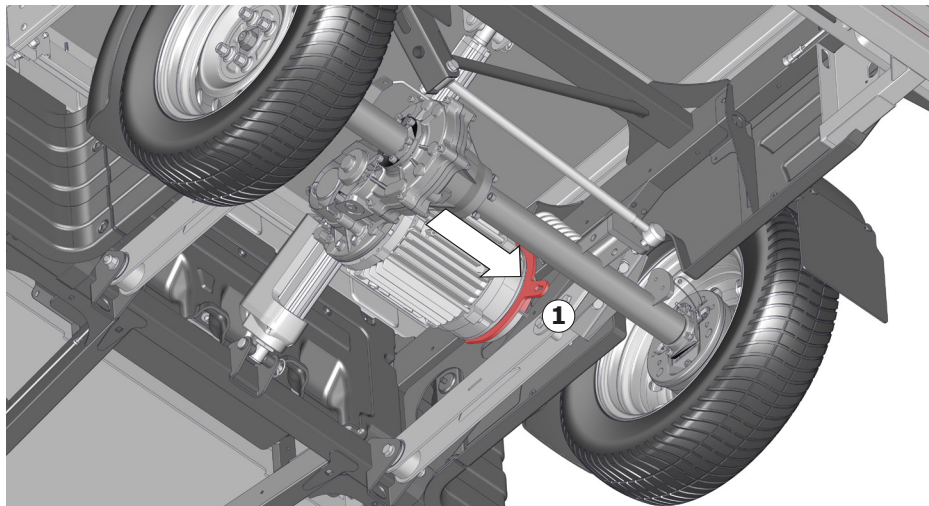
Maintaining battery properly includes always charging the battery after use, as well as general removal of corrosion, dust, dirt and/or similar, apply anti corrosion liquid if needed. See chapter 4 for more information.

WARNING

**Ensure that the work area is dry when servicing the vehicle or battery.
Risk of electric shock! Always turn main power switch to "OFF" when working with water around an electric vehicle.**

Towing without battery power

If the battery is completely discharged or malfunctioning and there is no possibility of activating the towing function through the towing switch, the parking brake can be released by manually engaging the lever ① on the motor.



Push the lever outwards to release the parking brake and the vehicle can be towed. Access the lever from the underside of the vehicle or by lifting up the load bed. Be aware that it takes a lot of force to push the lever, and that it must be held in place with a clamp or similar, as long as the vehicle is being towed. When done towing it is of great importance to activate the parking brake before vehicle is put into service.

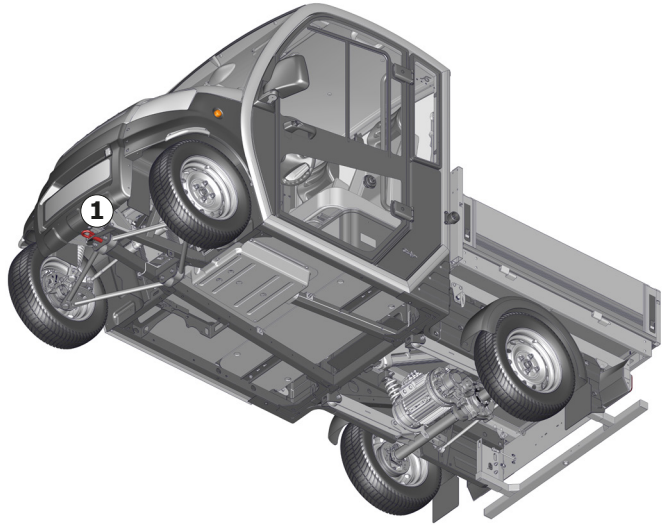
Always take the greatest safety precautions when releasing parking brake. If unsure on how to release the parking brake manually it is recommended that you contact the nearest Club Car dealer or service shop.

⚠ WARNING

**The vehicle can roll unexpectedly at all times when parking brake is released, even on level ground. This can cause a severe accident!
Activate automatic parking brake function before vehicle is put into service!**

Towing hook

The towing hook ① is located underneath the front body. Only tow the vehicle when the parking brake is released - manually or electronically. See "Towing without battery power" and "Parking brake".



⚠ WARNING

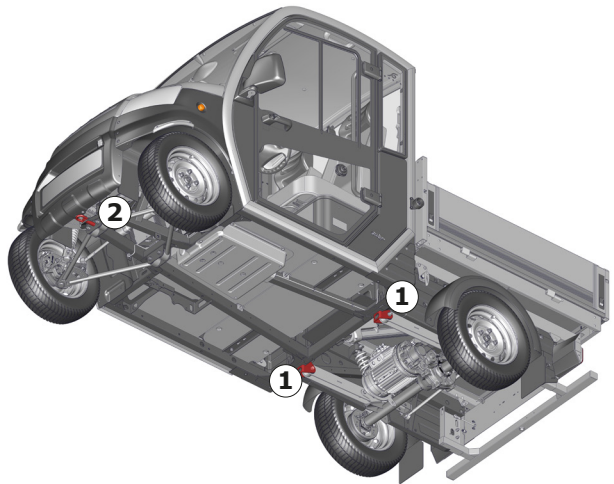
Do not attempt to tow vehicle with any other device than an approved automotive towing rope. Do not tow vehicle on highways or other public roads not specified for use. Only tow one vehicle at a time. Do not exceed 10 mph (16 km/h) while towing.

Hauling

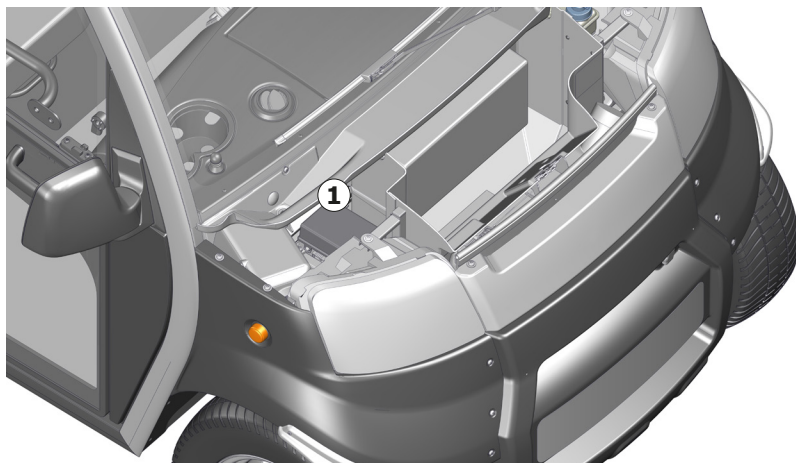
This Club Car Urban is not constructed for hauling. This includes other vehicles, trailers or other devices.

The front tow hook is not intended for hauling. The tow hook is intended for towing the Club Car Urban.

When hauling the Club Car Urban on a trailer the tie down brackets ① and the tow hook ② can be used to secure the vehicle.



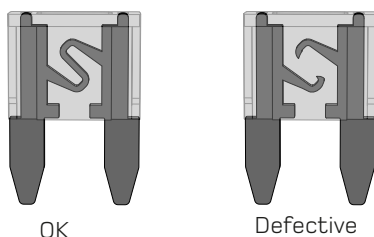
Fuse box location



If a malfunction in the electrical system occurs, it is recommended to check the fuses. The fuse box ① is under the bonnet

Always be sure to replace fuses for the same amperes and voltages as specified on the fuse table.

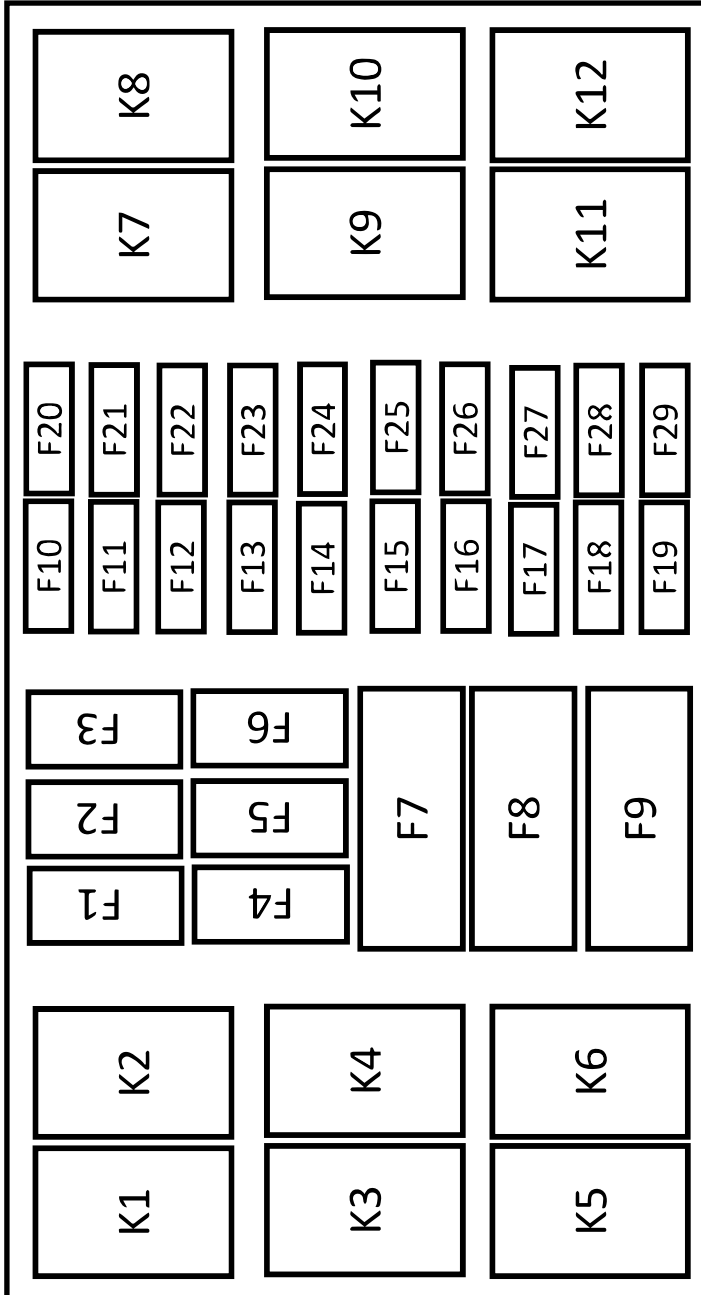
To remove a fuse, pull it from the socket in the fuse box. It is easy to see if the fuse is ok or defective.



⚠ CAUTION

Only replace fuses for the same amperes and voltage as specified in this user's manual. Replacing fuses for other amperes or voltages than specified can cause serious damage or fire in the electrical system of the vehicle.

Fuse box layout



08 MAINTENANCE

Relay	Function	Fuse	Function2	Amp
K1	Low beam headlamp	F1	XPS Connector	10
K2	High beam headlamp	F2	Display	1
K3	Low beam headlamp	F3	Keylock 48V	5
K4	Headlamp	F4	Webasto heater	1
K5	Tow switch	F5	Display	3
K6	Tow switch	F6	Window heater	5
K7	Cooler - optional	F7	Empty	-
K8	Reversing light	F8	Charger	30
K9	Window heater	F9	Empty	-
K10	Wiper speed 1	F10	Brake light, Roofbox, Towing	10
K11	Ignition	F11	Heater	15
K12	Wiper speed 2	F12	Power light	5
		F13	Camera	5
		F14	Aux. 12V plug unsw.	10
		F15	Empty	-
		F16	Empty	-
		F17	Empty	-
		F18	Shaunt DRL	ST
		F19	Shaunt DRL	ST
		F20	12V plug switched	15
		F21	Cooler	15
		F22	Interior light, cooler sw	5
		F23	Aux. 12V, switched	10
		F24	Wiper, washer pump	15
		F25	Roofbox switched 12V	20
		F26	Reversing light	5
		F27	Low beam, high beam	15
		F28	Control, fog, lowbeam	7,5
		F29	Horn, direction lights	7,5

This page is intentionally left blank

Service

In order to keep your Club Car Urban in the best condition, Club Car has prepared a specially designed service program, to ensure that the vehicle constantly lives up to the highest standards.

The following service intervals have to be met to uphold the warranty.

- 12 months / 360 hours service
- 24 months / 720 hours service
- 36 Months / 1080 hours service

Besides the above mentioned service intervals, additional daily, weekly and monthly checks are required, which can be performed by the owner of the vehicle to uphold the quality and functionality of the vehicle. The following pages state how to ensure the proper maintenance of your Club Car.

If the vehicle is malfunctioning in any way not specified in this user's manual, please consult a qualified repair shop. Club Car recommends that any work is provided by an Authorized Club Car Service Dealer.

The attached quick guide and service book contains the space for service stamps and service and repair remarks. Always be sure to remind your local dealer/repair shop to apply stamps and comments after each service interval.

Service symbol in instrument cluster

This vehicle is equipped with a memory function that reminds the user to service the vehicle regularly. This symbol will be reset after each service by an Authorized Club Car Service Dealer and reappears once the next service is due. Always make sure that the vehicle is maintained according to the service indicator in the instrument cluster. Failure to follow this will void all applicable warranties.

Service Actions

C = Check		CA = Check & Adjust		R = Replace		S = Service		CL = Clean & Lubricate		L = Lubricate	
Km	Whatever comes first	10.000	20.000	30.000	40.000	50.000	60.000	70.000			
Months		12	24	36	48	60	72	84			
Hours		360	720	1080	1440	1800	2160	2520			
Check:											
Tire pressure		CA	CA	CA	CA	CA	CA	CA	CA	CA	CA
Visual inspection of tires & rims		C	C	C	C	C	C	C	C	C	C
Brake fluid level		C/S	R	C/S	R	C/S	R	C/S	R	C/S	C/S
Battery mounting		S	S	S	S	S	S	S	S	S	S
Wires, battery cables & various connectors		CL	CL	CL	CL	CL	CL	CL	CL	CL	CL
Steering for free play		S	S	S	S	S	S	S	S	S	S
Inspection of shocks, springs, cuffs		C	C	C	C	C	C	C	C	C	C
Inspection of front & rear lights		C	C	C	C	C	C	C	C	C	C
Headlight adjustment		CA	CA	CA	CA	CA	CA	CA	CA	CA	CA
Washer nozzle position		CA	CA	CA	CA	CA	CA	CA	CA	CA	CA
Wheel bearings for play & sound		S	S	S	S	S	S	S	S	S	S
Toe-in alignment		CA	CA	CA	CA	CA	CA	CA	CA	CA	CA
Differential oil		S/CA	S/CA	R	S/CA	S/CA	R	S/CA	S/CA	R	S/CA
Windscreen washer fluid		C	C	C	C	C	C	C	C	C	C
Front brakes		S/CL	S/CL	S/CL	S/CL	S/CL	S/CL	S/CL	S/CL	S/CL	S/CL
Rear brakes (Drum brakes)		S/CL	S/CL	S/CL	S/CL	S/CL	S/CL	S/CL	S/CL	S/CL	S/CL
Discharge test		S	S	S	S	S	S	S	S	S	S
Heated windshield		C	C	C	C	C	C	C	C	C	C
Windshield for cracks & damages		C	C	C	C	C	C	C	C	C	C
Refrigerator (if present)		C	C	C	C	C	C	C	C	C	C
Lower A-arm		C/S	C/S	C/S	C/S	C/S	C/S	C/S	C/S	C/S	C/S
Rear trailing links		C	C	C	C	C	C	C	C	C	C
Rear Panhard rod		C	C	C	C	C	C	C	C	C	C
Transmission		C	C	C	C	C	C	C	C	C	C
A/C motor		C	C	C	C	C	C	C	C	C	C
Controller		C	C	C	C	C	C	C	C	C	C
Throttle box		CA	C	CA	C	CA	C	CA	C	CA	CA
Seat belts		C	C	C	C	C	C	C	C	C	C
Interior light (if present)		C	C	C	C	C	C	C	C	C	C
Seat adjustment		C	C	C	C	C	C	C	C	C	C
Side mirrors		C	C	C	C	C	C	C	C	C	C
Licence plate light		C	C	C	C	C	C	C	C	C	C
Instrument cluster (service reset/ function)		CA	CA	CA	CA	CA	CA	CA	CA	CA	CA
Center console buttons		C	C	C	C	C	C	C	C	C	C

User Self-Service

Following the guidelines below, the user of the vehicle can constantly make sure that the Club Car Urban is in the best and safest working condition.

Club Car recommends to follow this schedule accurately and consult a qualified repairshop if any part of the vehicle is not functioning correctly and cannot be replaced by the user.

C = Check CR = Check and replace (if needed)			
CHECK:	Daily	Weekly	Monthly
Tires and rims. (visual inspection of cracks, debris and damages)	CR		C
General vehicle conditions (defects and damages)	C		
Functionality of the lights (bulbs, adjustment etc).	CR		C
Brake pedal travel	C		
Wiper function, windshield washer fluid, wiper blade.		CR	C
Battery, battery shoes, cable assembly (visual inspection)		CR	C
Tire pressure and tire wear	C		
Functionality of the reverse warning indicator	C		
Brake fluid level			C

This page is intentionally left blank

Troubleshooting

The car will not drive

- Check if Main power switch is “ON” in battery compartment.
- Check if Towing switch is “OFF” in battery compartment.
- Check if Ignition switch is in “On”.
- Check if battery are charged enough to drive vehicle by looking at the battery indicator in the instrument cluster.
- Reset the vehicle - please see next page for how to reset the vehicle
- If all of the above are confirmed, please consult a qualified repair shop. Preferably an Authorized Club Car Service Dealer.

The vehicle will only drive at a very slow speed

- Are the battery properly charged? If vehicle voltage is below 37,5V, the vehicle can have switched to LOS-mode (limited operation strategy). It is a safety program that allows the vehicle to drive at very low speeds only. Fully charge battery to switch off LOS mode.
- Reset the vehicle - please see next page for how to reset the vehicle
- Please consult a qualified repair shop. Preferably an Authorized Club Car Service Dealer.

The vehicle has a lower range than usual

- Batteries will typically experience lower capacity after many cycles of charging.
- Allow battery to fully charge.
- If this does not help, please consult a qualified repair shop. Preferably an Authorized Club Car Service Dealer.

The Charger will not charge the battery

- Check that the power inlet is supplying power to the charger.
- Check that the charger LED is indicating that the battery are charging.
- Charger can be overheating in hot weather conditions. Allow charger to cool or engage charging in a cooler environment
- Reconnect the charger plug
- Turn batteries on manually
- If this does not help, please consult a qualified repair shop. Preferably an Authorized Club Car Service Dealer.

What to do with a completely flat battery

- Engage a full charging cycle of the battery
- If this does not help, please consult a qualified repair shop. Preferably an Authorized Club Car Service Dealer.

The lights do not work

- Check the fuse. If fuse is not intact, replace with a new fuse in same amps and voltages.
- For headlamps: Check if bulbs are functioning correctly. If not, replace with a new.
- If none of the above prove helpful, please consult a qualified repair shop. Preferably an Authorized Club Car Service Dealer.

The refrigerator does not work

- Turn ignition key on, and activate the refrigerator on the 'refrigerator' button on the instrument cluster. The refrigerator symbol in the instrument cluster will be lit if power is on and ignition switch is not turned to 'Off'.
- Check the fuse. If fuse is not intact, replace with a new fuse in same amps and voltages.
- If none of the above prove helpful, please consult a qualified repair shop. Preferably an Authorized Club Car Service Dealer.

The refrigerator stops cooling when parked (less than 2 hours)

- Main power switch must be on.
- Check the fuse. If fuse is not intact, replace with a new fuse in same amps and voltages.
- If none of the above prove helpful, please consult a qualified repair shop. Preferably an Authorized Club Car Service Dealer.

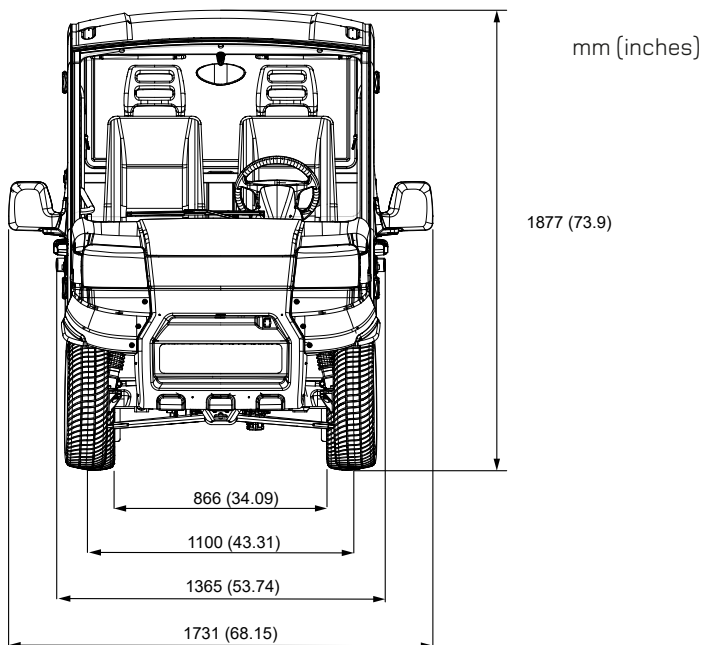
The brake pedal is soft, or goes down without resistance

- Do not drive vehicle, brakes can be malfunctioning. Please consult a qualified repair shop. Preferably an Authorized Club Car Service Dealer.

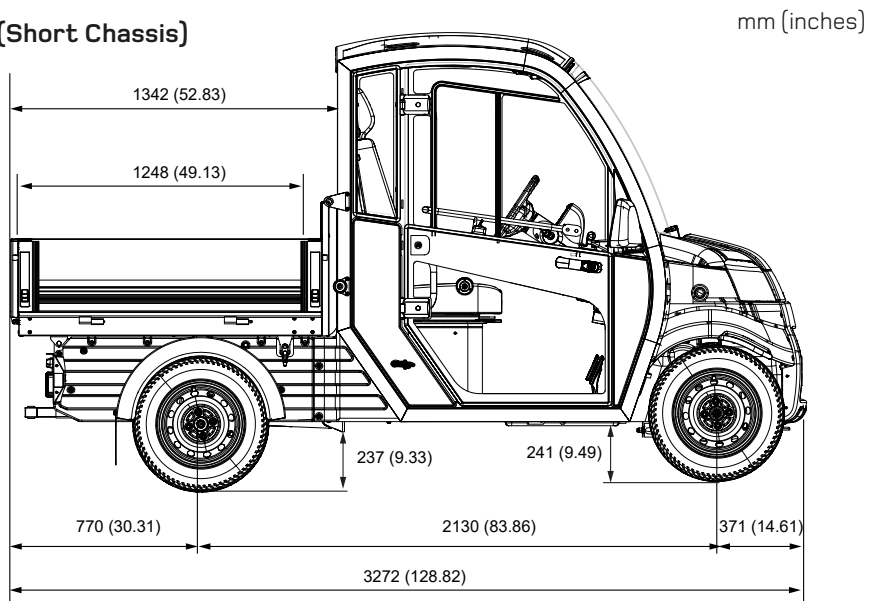
The vehicle vibrates in the steering wheel

Please check tire pressure, apply the correct tire pressure in each tire as recommended in this manual. See "Tyre conditions".

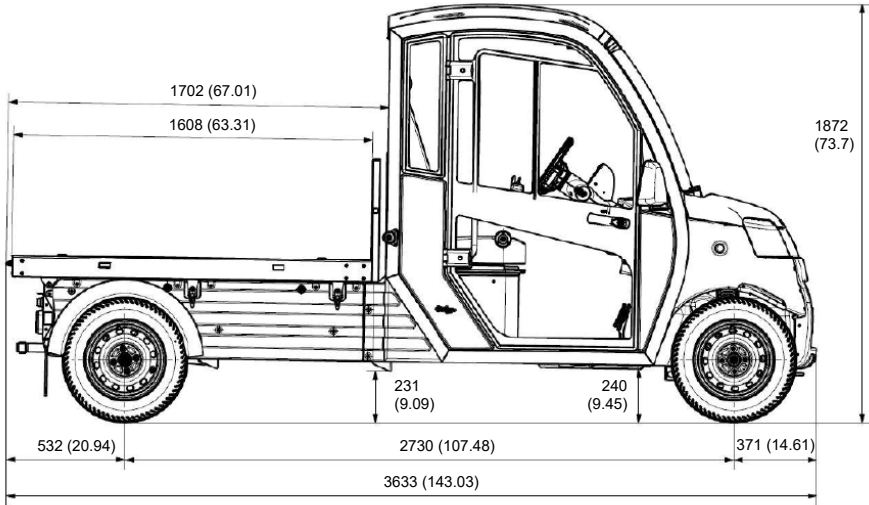
Utility Vehicle Dimensions



S (Short Chassis)



L (Long chassis)



Specifications

	L (Long wheel base)	S (Short wheel base)
Motor 48V	High efficient 3-phase AC engine	
Output rating	8 kW (10,7 Hp)	
Peak power	14,3 kW (19,2 Hp)	
Motor controller	Curtis 350 A	
Battery	Lead-acid 8x6V or Lithium	
Battery capacity (Lithium)	10,2 - 21,4 kWh	
Chassis	Hot dip galvanized steel frame	
Brakes	Discs front, drums rear	
Tires	165/70 R13	
Outer turning radius	4250 mm (13.94 feet)	3400 mm (11.15 feet)
Mass in running order (depending on model)	495-550 kg (1091-1213 lbs)	491-536 kg (1082-1182 lbs)
Technically permissible maximum mass	1850 kg (4079 lbs)	1350 kg (2976 lbs)
Performance		
Top speed (depending on model)	30-55 Km/h (19-34 mph)	
Range (depending on model)	73 -200 Km (45-124 miles) WLTP, combined range	
Manufacturers limited warranty	Consult your nearest dealer.	
Operating grade	< 20%	

Warranty

In order to uphold the warranty it is important that all service actions are performed according to the intervals specified by Club Car. The warranty depends on the model and the options chosen. Please contact your Club Car Urban dealer.

Please contact your local dealer for any questions regarding your Club Car. To locate your nearest dealer, please visit the website at www.clubcarurban.com

System information

The system information menus can be accessed by pressing the up button.

Here you find various system informations, most of which are intended for the manufacturer's service purposes.

System information
 Fault information
 Controller information
 Motor information



Club Car EMEA Limited
Office 123, Balheary Demesne
Swords, Dublin K67E5A0
Ireland

Find your local contact at:

CLUBCARURBAN.COM

© 2023 by Club Car inc. 1st Edition. All rights reserved.
Any reprinting or unauthorized use without the written permission of Club Car Inc. is expressly prohibited.
Copyrighted material.

This manual may not be reproduced in whole or in part without the express permission of Club Car Inc.

U21.982.023.00 Club Car Urban user's manual