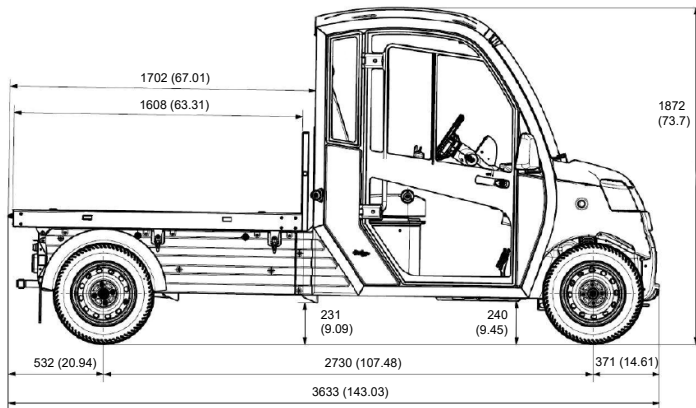


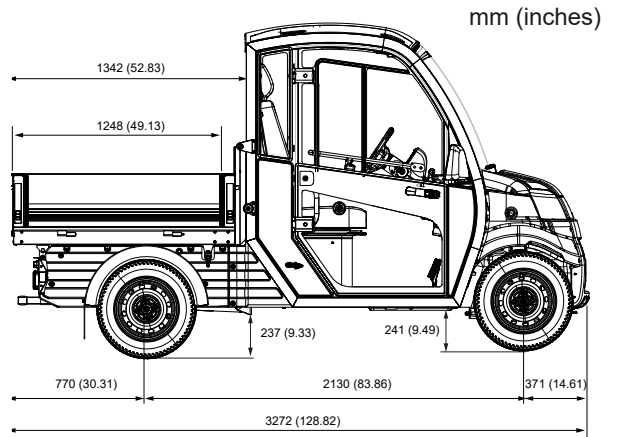


DIMENSIONS

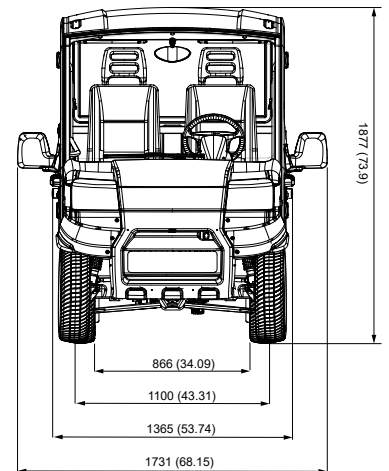
L (Long chassis)



S (Short chassis)



Specifications:	L (Long wheel base)	S (Short wheel base)
Motor 48V	High efficient 3-phase AC engine	
Output rating	8 kW (10,7 Hp)	
Peak power	14,3 kW (19,2 Hp)	
Motor controller	Curtis 350 A	
Battery	ReLion 200 Ah	
Battery capacity	10,24 kWh	
Chassis	Hot dip galvanized steel frame	
Brakes	Discs front, drums rear	
Tires	165/70 R13	
Outer turning radius	4250 mm (13.94 feet)	3400 mm (11.15 feet)
Mass in running order	550 kg (1213 lbs)	536 kg (1182 lbs)
Technically permissible maximum mass	1850 kg (4079 lbs)	1350 kg (2976 lbs)
Performance		
Top speed	55 Km/h (34 mph)	
Range (WLTP - combined range)	73 Km (45 miles)	
Manufacturers limited warranty	3 years / 3000 hours	
Operating grade	< 20%	



URBAN ^{N7}